

BELOIT, KANSAS

AL-6560 (FAA)

24137

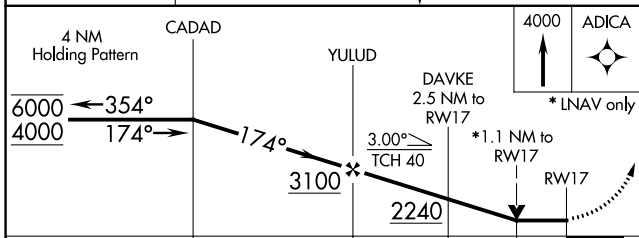
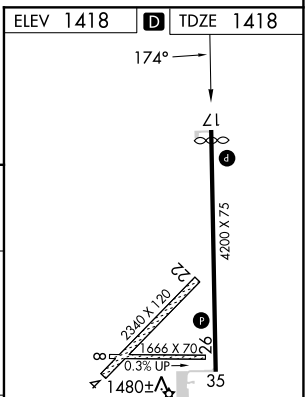
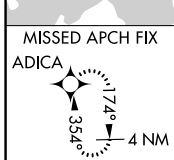
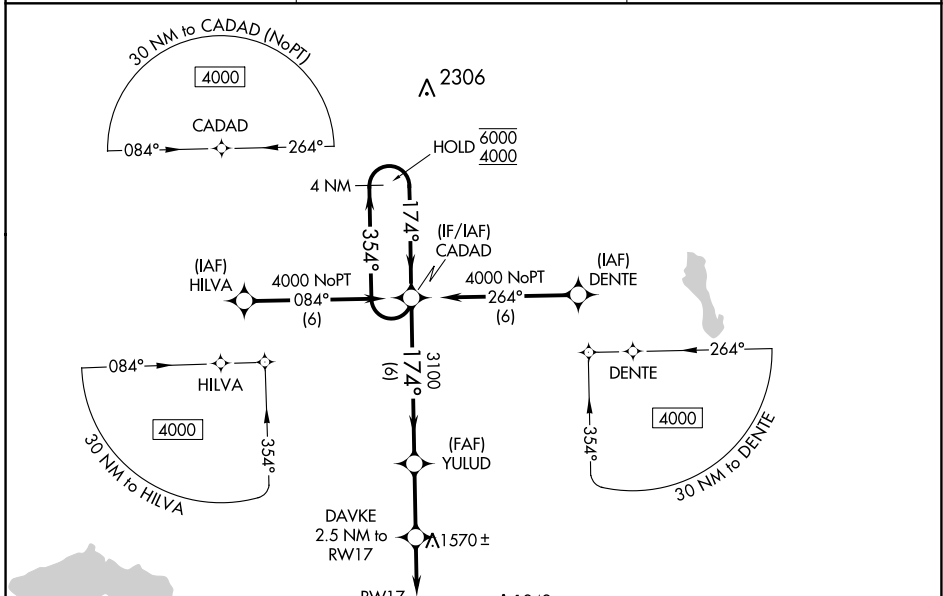
APP CRS	Rwy Idg	4018
174°	TDZE	1418
	Apt Elev	1418

RNAV (GPS) RWY 17

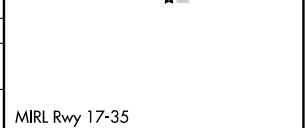
MORITZ MEML (K61)

RNP APCH.	<p>⚠ NA Circling Rwy 17 NA at night. Rwy 17 helicopter visibility reduction below 3/4 SM NA. VDP NA when using Concordia altimeter setting. When local altimeter setting not received, use Concordia altimeter setting and increase all MDA 80 feet. Circling Rws 4, 8, 22, and 26 NA.</p>	<p>MISSED APPROACH: Climb to 4000 direct ADICA and hold.</p>

AWOS-3PT 118.225	KANSAS CITY CENTER 134.9 363.2	UNICOM 122.8 (CTAF) 0
----------------------------	--	---------------------------------



CATEGORY	A	B	C	D
LNVA MDA	1820-1	402 (500-1)	NA	
C CIRCLING	1880-1 462 (500-1)	2260-1¼ 842 (900-1¼)	NA	



BELOIT, KANSAS
Amdt 1 11OCT18

39°28'N-98°08'W

RNAV (GPS) RWY 17

MORITZ MEML (K61)

NC-2, 31 OCT 2024 to 28 NOV 2024

NC-2, 31 OCT 2024 to 28 NOV 2024