

(SNDRS3.SNDRS) 24137

# SNDRS THREE DEPARTURE (RNAV)

AL-118 (FAA)

COLEMAN A YOUNG MUNI (DET)

DETROIT, MICHIGAN

EC-1, 28 NOV 2024 to 26 DEC 2024

## DEPARTURE ROUTE DESCRIPTION

**TAKEOFF RUNWAY 15:** Climb on heading 148° or as assigned by ATC, thence....

**TAKEOFF RUNWAY 33:** Climb on heading 328° to 1800 then as assigned by ATC, thence....

....for RADAR vectors to JWELS, then on track 218° to SNDRS, then on (transition). Maintain ATC assigned altitude, expect filed altitude 10 minutes after departure.

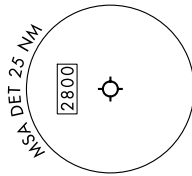
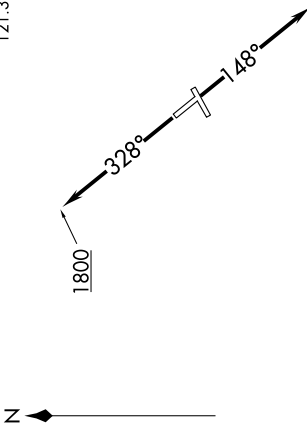
**BGHR**T TRANSITION (SNDRS3.BGHR):  
**TORR**R TRANSITION (SNDRS3.TORR):

## TOP ALTITUDE: ASSIGNED BY ATC

RNAV-1 DME/DME/IRU or GPS.

RADAR required.

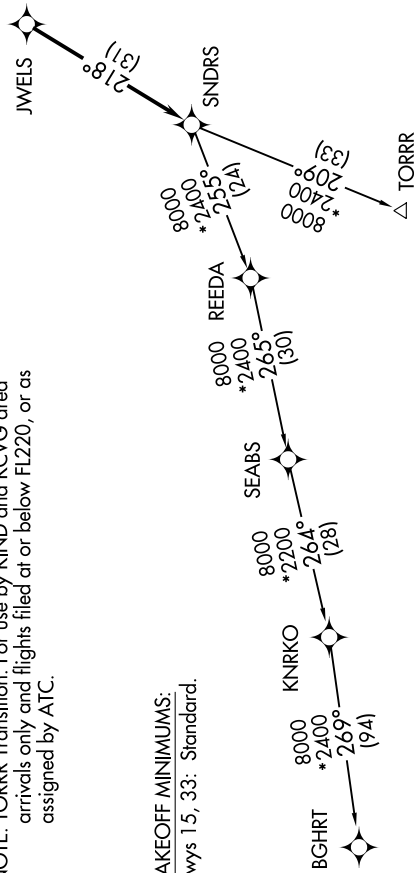
DETROIT DEP CON  
134.3 284.0  
ATIS  
124.875  
GND CON  
121.85  
DETROIT CITY TOWER  
121.3 257.8



**NOTE:** Turbojet departures at/above 10000, maintain 280K until advised by ATC.

**NOTE:** TORR Transition: For use by KIND and KCVG area arrivals only and flights filed at or below FL220, or as assigned by ATC.

**TAKEOFF MINIMUMS:**  
 Rwy 15, 33: Standard.



NOTE: Chart not to scale.

EC-1, 28 NOV 2024 to 26 DEC 2024

# SNDRS THREE DEPARTURE (RNAV)

(SNDRS3.SNDRS) 16MAY24

DETROIT, MICHIGAN

COLEMAN A YOUNG MUNI (DET)