

WAAS CH 58104 W09A	APP CRS 084°	Rwy Idg TDZE 845 Apt Elev 845	6701
--	------------------------	---	-------------

RNAV (GPS) RWY 9L

GRAND FORKS INTL (GFK)

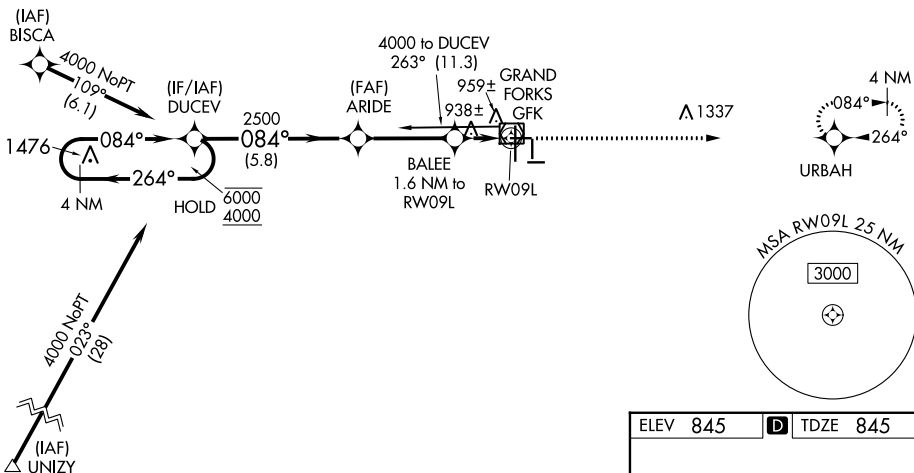
RNP APCH - GPS.

▼ Baro-VNAV and VDP NA when using CKN altimeter setting. For uncompensated Baro-VNAV systems, LNAV/VNAV NA below -21°C or above 54°C. When local altimeter setting not received, use CKN altimeter setting and increase LPV DA to 1106 feet and all visibilities 1/8 SM. Increase LNAV/VNAV DA to 1156 feet and all visibilities 1/8 SM. Increase all MDAs 80 feet and LNAV visibility Cat C/D 1/4 SM, and Circling visibility Cat C 1/4 SM.

MISSED APPROACH: Climb to 2800 direct URBAH and hold.

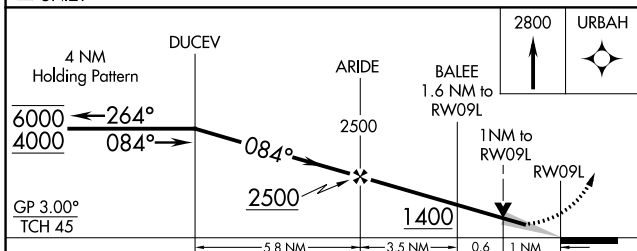
ATIS 119.4	GRAND FORKS APP CON ★ 118.1 318.1	GRAND FORKS TOWER ★ 118.4(CTAF) 350.35	GND CON 124.575	CLNC DEL 135.725	UNICOM 122.95
----------------------	---	--	---------------------------	----------------------------	-------------------------

Procedure NA for arrivals at GFK VOR/DME on V55 northeast bound.

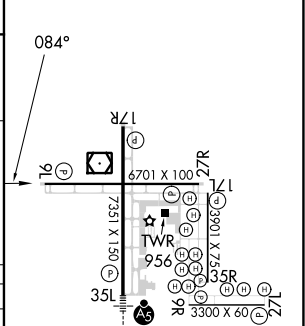


NC-1, 28 NOV 2024 to 26 DEC 2024

NC-1, 28 NOV 2024 to 26 DEC 2024



ELEV 845	D TDZE 845
----------	-------------------



CATEGORY	A	B	C	D
LPV DA		1045-3/4	200 (200-3/4)	
LNAV/VNAV DA		1095-3/4	250 (300-3/4)	
LNAV MDA		1200-1	355 (400-1)	
C CIRCLING	1260-1 415 (500-1)	1300-1 455 (500-1)	1400-1 1/2 555 (600-1 1/2)	1420-2 575 (600-2)

MIRL Rwy 9L-27R **1**
MIRL Rwys 9R-27L and 17L-35R
HIRL Rwy 17R-35L **1**
REIL Rwys 17R and 27R **1**