

APP CRS 005°	Rwy Idg TDZE Apt Elev	N/A N/A 1439
------------------------	-----------------------------	---

RNAV (GPS)-B

FULLER (4D8)

RNP APCH.

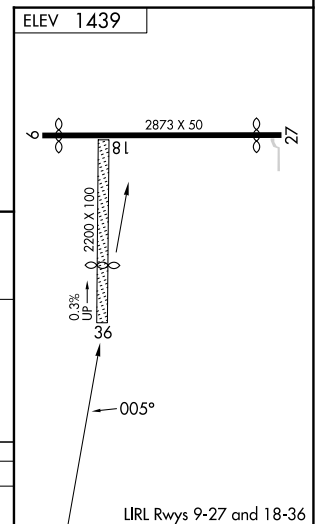
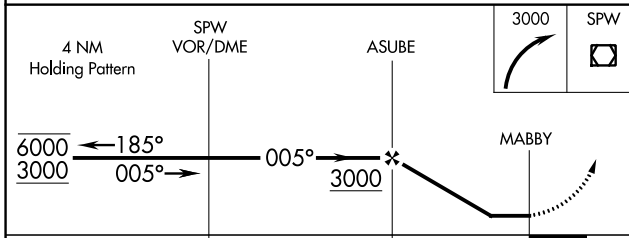
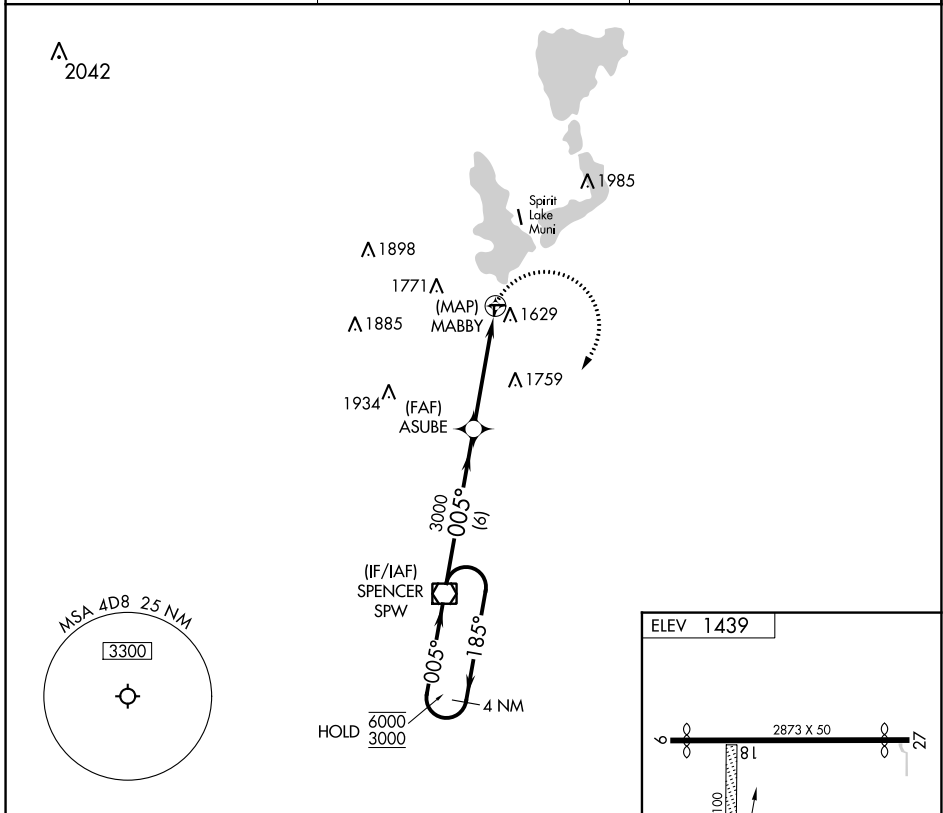
NA Circling NA to Rws 18 and 36. Procedure NA at night. Use Spencer altimeter setting, when not received, use Estherville altimeter setting and increase all MDA 40 feet.

MISSED APPROACH: Climbing right turn to 3000 direct SPW VOR/DME and hold.

SPW ASOS
126.625

MINNEAPOLIS CENTER
127.75 257.7

CTAF
122.9



CATEGORY	A	B	C	D
CIRCLING	2100-1	661 (700-1)	NA	

NC-3, 28 NOV 2024 to 26 DEC 2024

NC-3, 28 NOV 2024 to 26 DEC 2024