

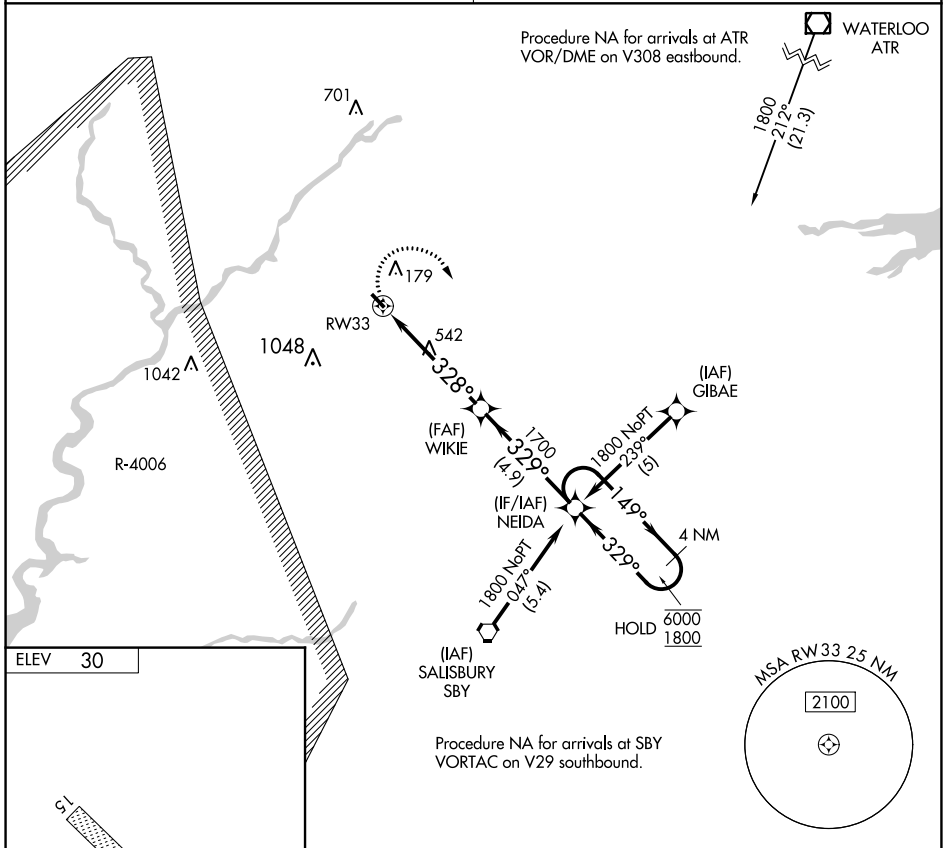
APP CRS 328°	Rwy Idg TDZE Apt Elev	N/A N/A 30
------------------------	-----------------------------	---------------------------------------

RNAV (GPS)-A

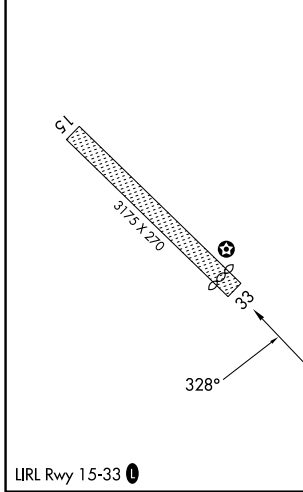
LAUREL (N06)

RNP APCH.	<p>Procedure NA at night. Use Salisbury altimeter setting; when not received, use Georgetown altimeter setting.</p>	<p>MISSED APPROACH: Climbing right turn to 1800 direct NEIDA and hold.</p>
-----------	---	--

<p>PATUXENT APP CON* 127.95 314.0</p>	<p>UNICOM 122.8 (CTAF) 0</p>
--	---



ELEV	30
------	----



LIRL Rwy 15-33 0

1800	NEIDA	Visual Segment - Obstacles.	4 NM Holding Pattern
CATEGORY	A	B	C D
CIRCLING	880-1¼	850 (900-1¼)	NA

LAUREL, DELAWARE
Orig-A 28FEB19

NE-3, 28 NOV 2024 to 26 DEC 2024

NE-3, 28 NOV 2024 to 26 DEC 2024