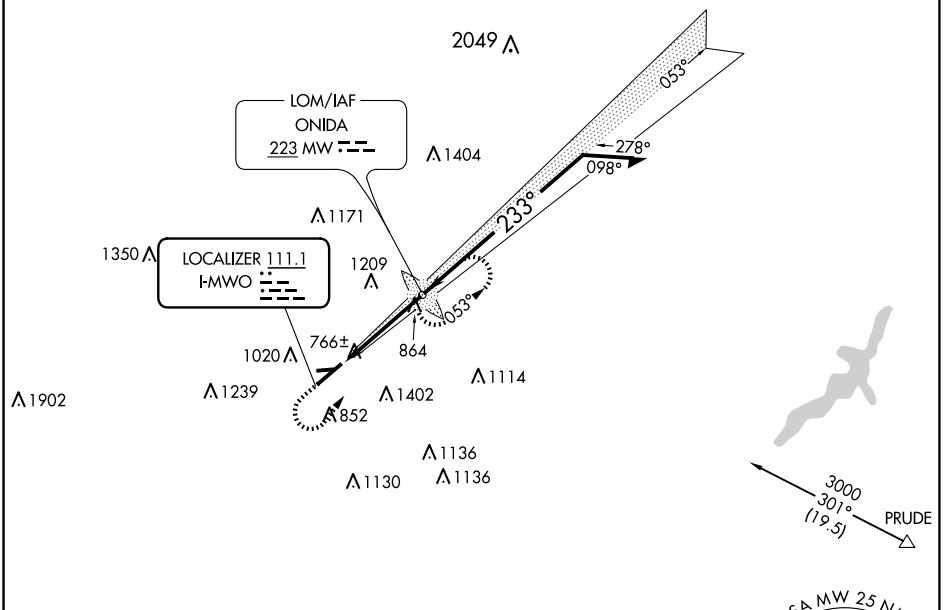


LOC I-MWO <b>111.1</b>	APP CRS <b>233°</b>	Rwy Idg 5801
		TDZE 650
		Apt Elev 651

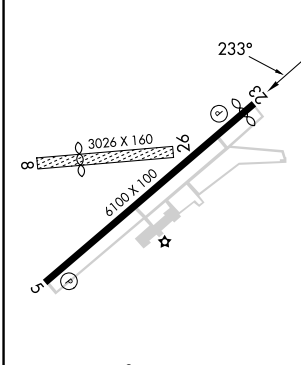
# LOC RWY 23

MIDDLETOWN RGNL/HOOK FLD (MWO)

ADF required.		<p>MISSED APPROACH: Climb to 2600 then climbing left turn to 3000 direct MW LOM and hold.</p>
<p><b>▽</b> Circling Rwy 5 NA at night. Circling NA to Rwys 8 and 26. Rwy 23 helicopter visibility reduction below ¼ SM NA. When local altimeter setting not received, use Dayton/Wright Brothers altimeter setting and increase all MDAs 80 feet and S-23 Cat C/D visibility ¼ SM.</p>		
AWOS-3PT <b>120.025</b>	COLUMBUS APP CON <b>118.85 269.275</b>	UNICOM <b>123.0 (CTAF)</b>



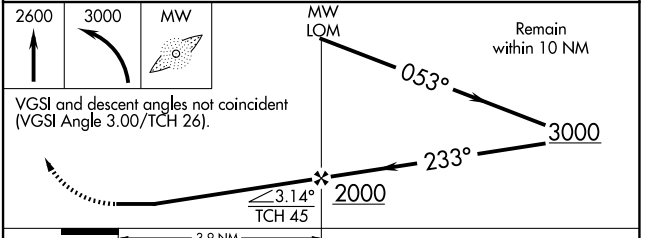
ELEV 651	TDZE 650
----------	----------



MIRL Rwy 5-23  
REL Rwys 5 and 23

FAF to MAP 3.9 NM

Knots	60	90	120	150	180
Min:Sec	3:54	2:36	1:57	1:34	1:18



CATEGORY	A	B	C	D
S-23	1140-1 490 (500-1)		1140-1⅜ 490 (500-1⅜)	1140-1½ 490 (500-1½)
CIRCLING	1480-1¼ 829 (900-1¼)		1720-3 1069 (1100-3)	1940-3 1289 (1300-3)

EC-2, 23 JAN 2025 to 20 FEB 2025

EC-2, 23 JAN 2025 to 20 FEB 2025