

HI-TACAN RWY 34

TACAN HMN Chan 92	APCH CRS 334°	Rwy ldg 12,134 TDZE 4058 Arprt Elev 4093
-----------------------------	-------------------------	---

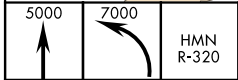
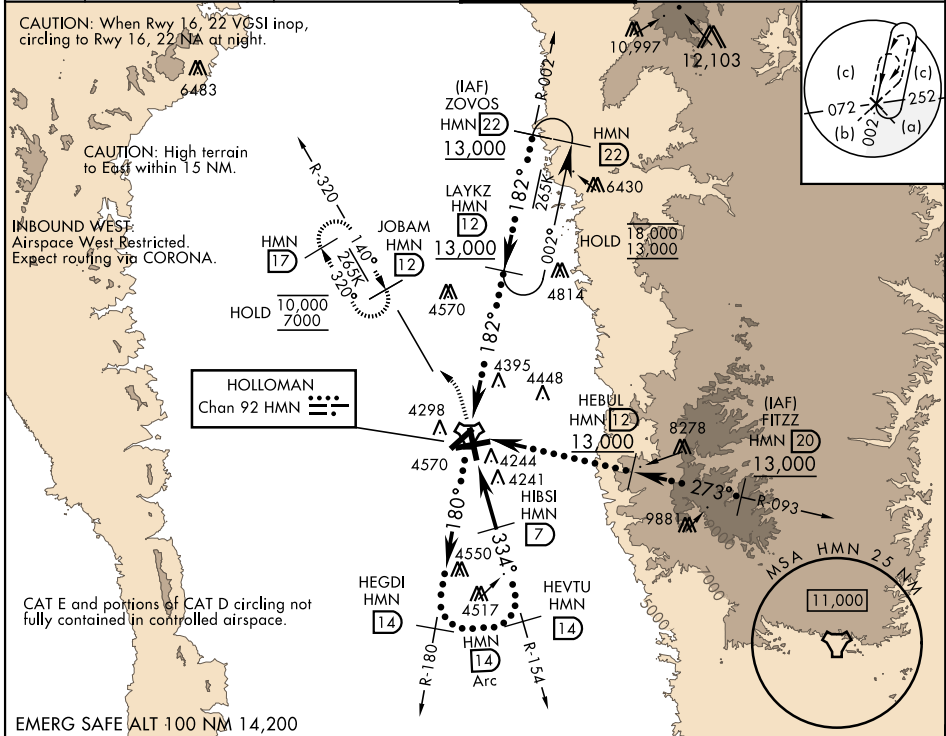
AL-7 [USAF]

HOLLOMAN AFB (KHMN)

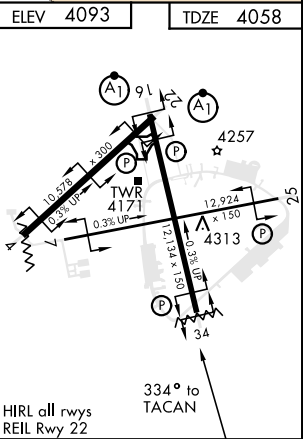
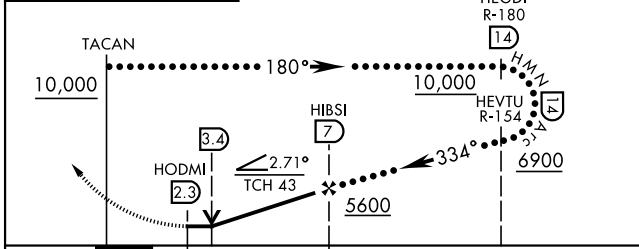
When circling to Rwy 25 at night, operational VGSI required, remain on or above VGSI glidepath until threshold.

MISSÉ APPROACH: Climb straight ahead to 7000, passing 5000 turn left to intercept HMN TACAN R-320 to JOBAM and hold.

ATIS ★ 273.5	ALBUQUERQUE CENTER 132.65 257.6	APP CON 120.6 269.225	TOWER ★ 119.3 254.4	GND CON 127.05 275.8	CLNC DEL 126.7 289.4
------------------------	---	---------------------------------	-------------------------------	--------------------------------	--------------------------------



ELEV 4093	TDZE 4058
-----------	-----------



CATEGORY	A	B	C	D	E
S-34	4540-1	482 (500-1)	4540-1 3/8	482 (500-1 3/8)	
C CIRCLING	4640-1	547 (600-1)	4680-1 1/2 587 (600-1 1/2)	4740-2 647 (700-2)	4780-2 1/2 687 (700-2 1/2)

HI-TACAN RWY 34

SW-1, 17 APR 2025 to 15 MAY 2025

SW-1, 17 APR 2025 to 15 MAY 2025