

VOR OLK <b>110.4</b>	APP CRS <b>114°</b>	Rwy ldg TDZE Apt Elev	<b>2623</b> <b>836</b> <b>836</b>
-------------------------	------------------------	-----------------------------	---

# VOR RWY 13

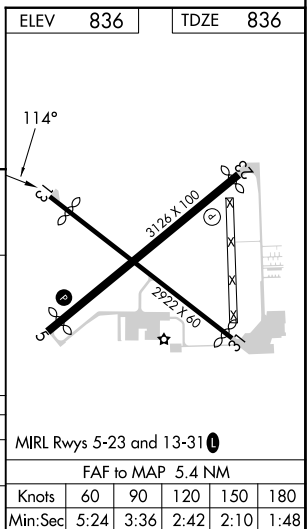
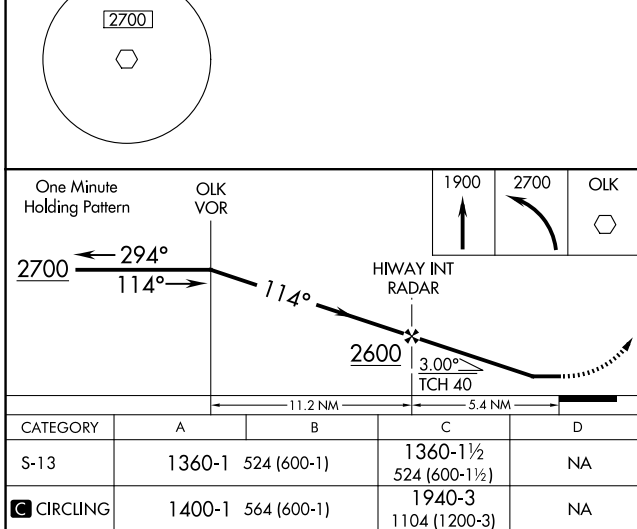
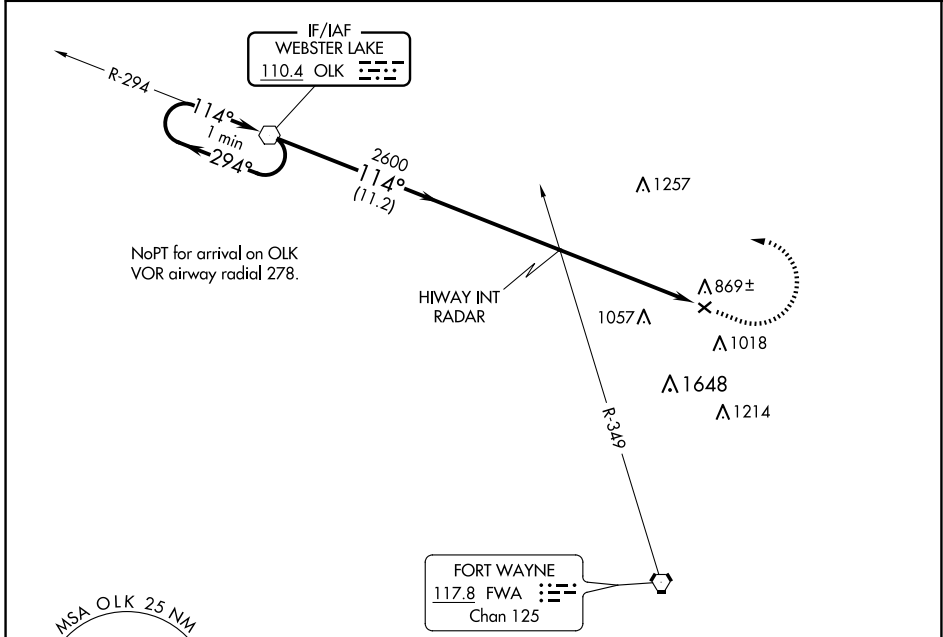
SMITH FLD (SMD)

**⚠** NA  
**⚠** -22°C

Rwy 13 helicopter visibility reduction below 1 SM NA. Procedure NA at night. When local altimeter setting not received, use Fort Wayne Intl altimeter setting and increase all MDA 40 feet and S-13 Cat C visibility 1/8 SM.

MISSED APPROACH: Climb to 1900 then climbing left turn to 2700 direct OLK VOR and hold.

AWOS-3 <b>124.55</b>	FORT WAYNE APP CON <b>127.2 284.6</b>	UNICOM <b>122.8 (CTAF) 0</b>
-------------------------	--	---------------------------------



EC-2, 17 APR 2025 to 15 MAY 2025

EC-2, 17 APR 2025 to 15 MAY 2025