

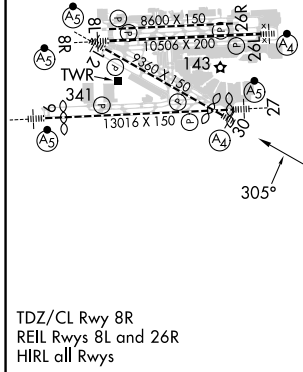
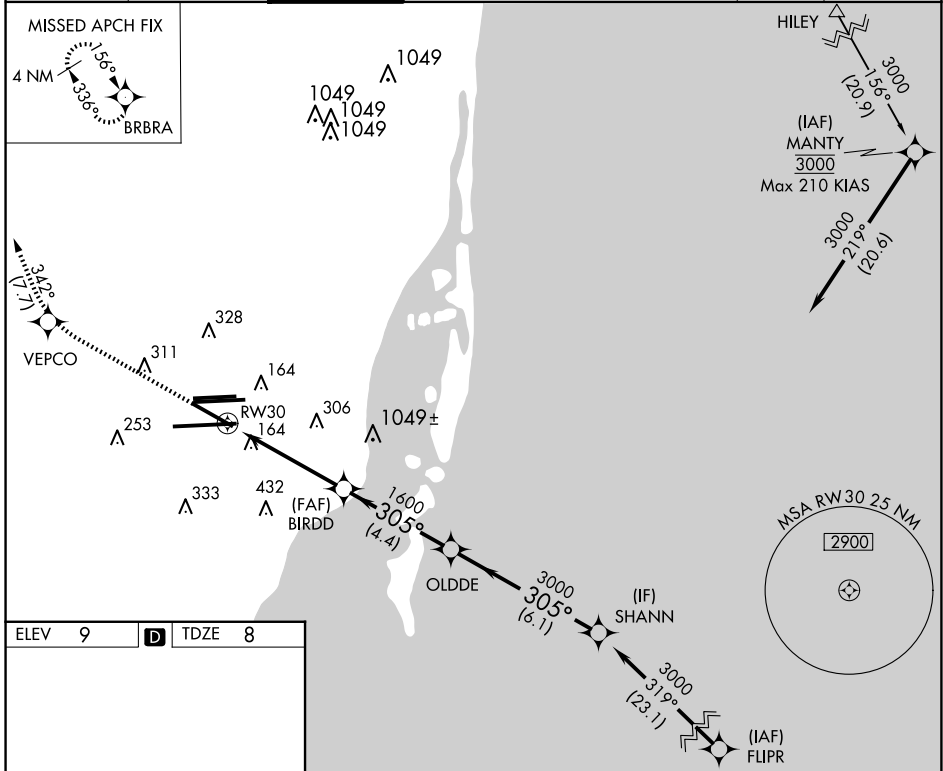
APP CRS	Rwy Idg	<b>7913</b>
<b>305°</b>	TDZE	<b>8</b>
	Apt Elev	<b>9</b>

# RNAV (RNP) Y RWY 30

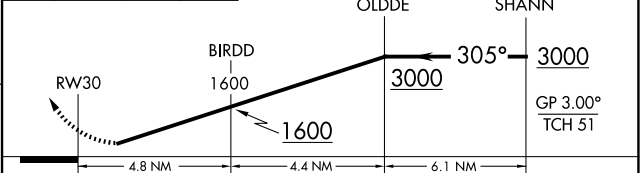
MIAMI INTL (MIA)

<p><b>NA</b></p> <p>For inoperative MALS, increase RNP 0.23 all Cats visibility to 1½, RNP 0.30 all Cats to 1¾. GPS Required.</p> <p>For uncompensated Baro-VNAV systems, procedure NA below 6°C (42°F) or above 48°C (119°F).</p>	<p>MALS</p> <p><b>A2</b></p>	<p>MISSED APPROACH: Climb to 3000 direct VEPCO and via 342° track to BRBRA and hold.</p>
--	------------------------------	--

D-ATIS	MIAMI APP CON	MIAMI TOWER	GND CON	CLNC DEL	CPDLC
ARR <b>119.15</b>	<b>124.85 322.3</b>	<b>118.3 256.9</b>	<b>121.8</b> (8L/8R/12/26L/26R)	<b>135.35</b>	
DEP <b>133.675</b>			<b>127.5</b> (9/27/30)	<b>348.6</b>	



3000	VEPCO	342° tr	BRBRA	VGSI and RNAV glidepath not coincident (VGSI Angle 3.00/TCH 71).	Procedure Turn NA
------	-------	---------	-------	--	-------------------



CATEGORY	A	B	C	D
RNP 0.23 DA		426-1¼	418 (500-1¼)	
RNP 0.30 DA		521-1½	513 (600-1½)	

**AUTHORIZATION REQUIRED**

SE-3, 17 APR 2025 to 15 MAY 2025

SE-3, 17 APR 2025 to 15 MAY 2025