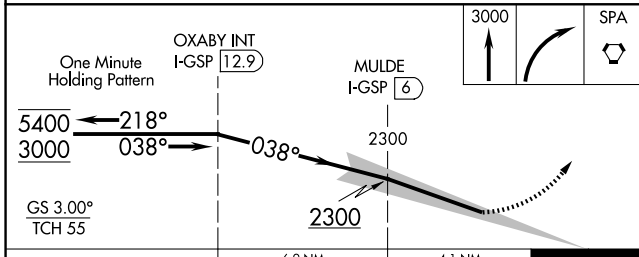
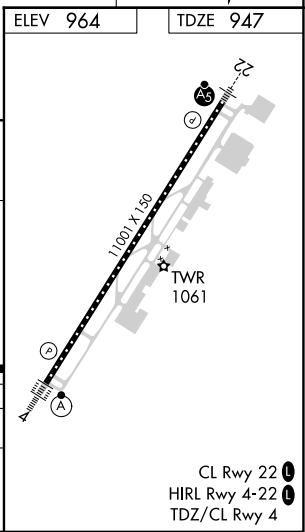
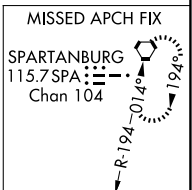
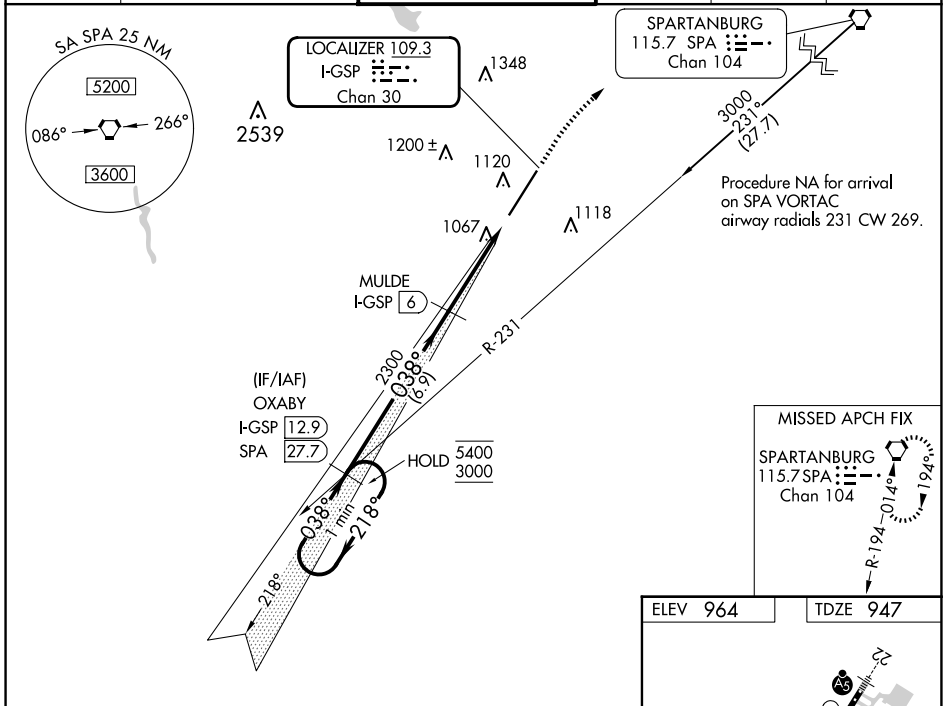


LOC/DME I-GSP 109.3 Chan 30	APP CRS 038°	Rwy Idg 11001 TDZE 947 Apt Elev 964
--	------------------------	--

ILS RWY 4 (SA CAT I)

GREENVILLE SPARTANBURG INTL (GSP)

DME required.			ALSF-2		
Requires specific OPSPEC, MSPEC, or LOA approval and use of HUD to DH. Procedure NA when control tower closed.			MISSED APPROACH: Climb to 3000 then right turn direct SPA VORTAC and hold.		
ATIS 134.25	GREER APP CON* 118.8 270.275	GREER TOWER* 120.1(CTAF) 251.15	GND CON 121.9	CLNC DEL 121.9	UNICOM 122.95



CATEGORY	A	B	C	D
S-ILS 4	RA 258/14		150 DA 1097	

SA CATEGORY I ILS - SPECIAL AIRCREW & AIRCRAFT CERTIFICATION REQUIRED

SE-2, 17 APR 2025 to 15 MAY 2025

SE-2, 17 APR 2025 to 15 MAY 2025