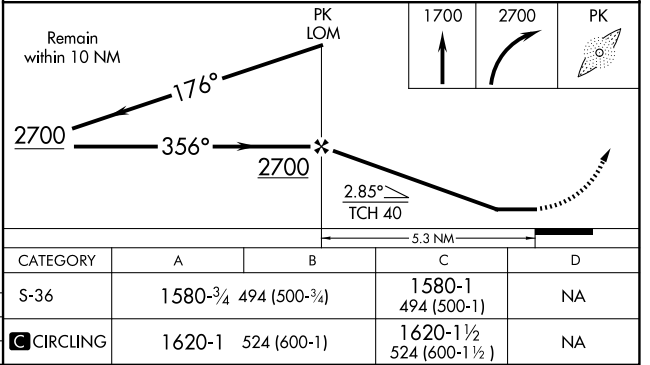
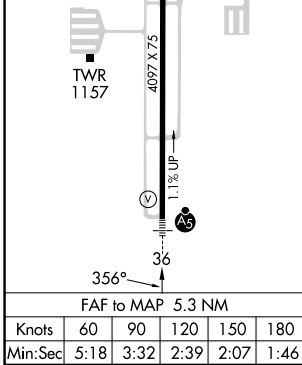
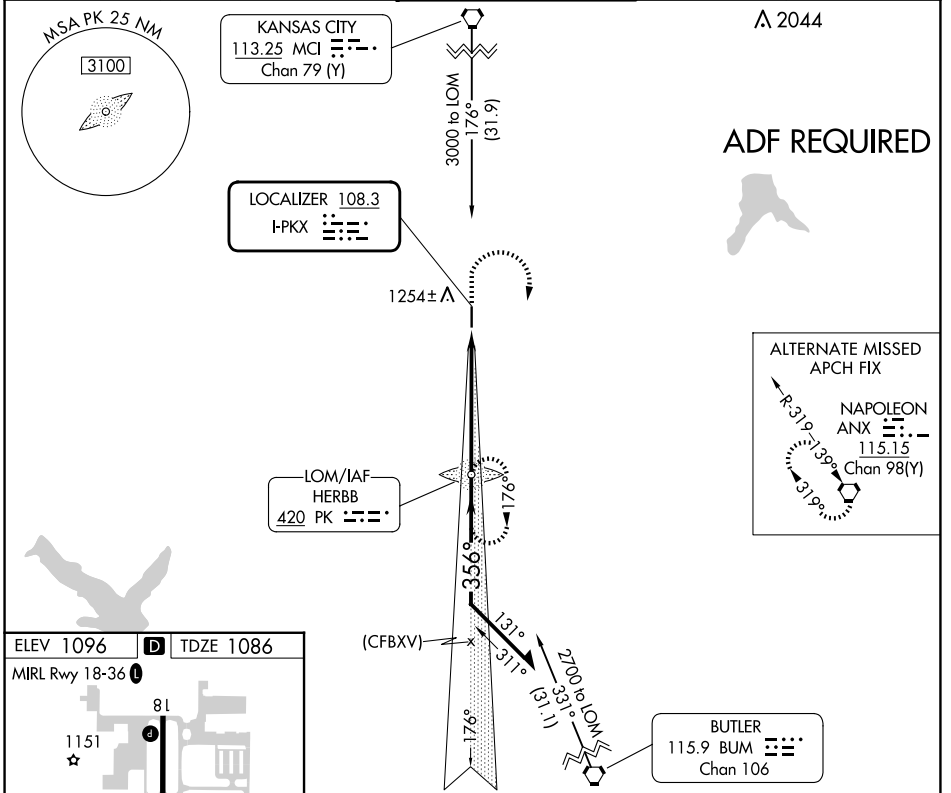


LOC I- PKX 108.3	APP CRS 356°	Rwy ldg 4097 TDZE 1086 Apt Elev 1096
-----------------------------------	------------------------	--

LOC RWY 36
JOHNSON COUNTY EXEC (OJC)

NA Helicopter visibility reduction below 3/4 SM not authorized. For inoperative MALSRS, increase S-36 Cats A and B visibility 1/4 mile.	MALSRS 		MISSED APPROACH: Climb to 1700 then climbing right turn to 2700 direct HERBB LOM and hold.	
	ATIS 119.35	KANSAS CITY APP CON 118.9 251.075	EXECUTIVE TOWER* 126.0 (CTAF) 225.4	GND CON 121.6



NC-2, 17 APR 2025 to 15 MAY 2025

NC-2, 17 APR 2025 to 15 MAY 2025