

LOC/DME I-URN 111.9 Chan 56	APP CRS 096°	Rwy Ldg 11640 TDZE 883 Apt Elev 896
---	------------------------	--

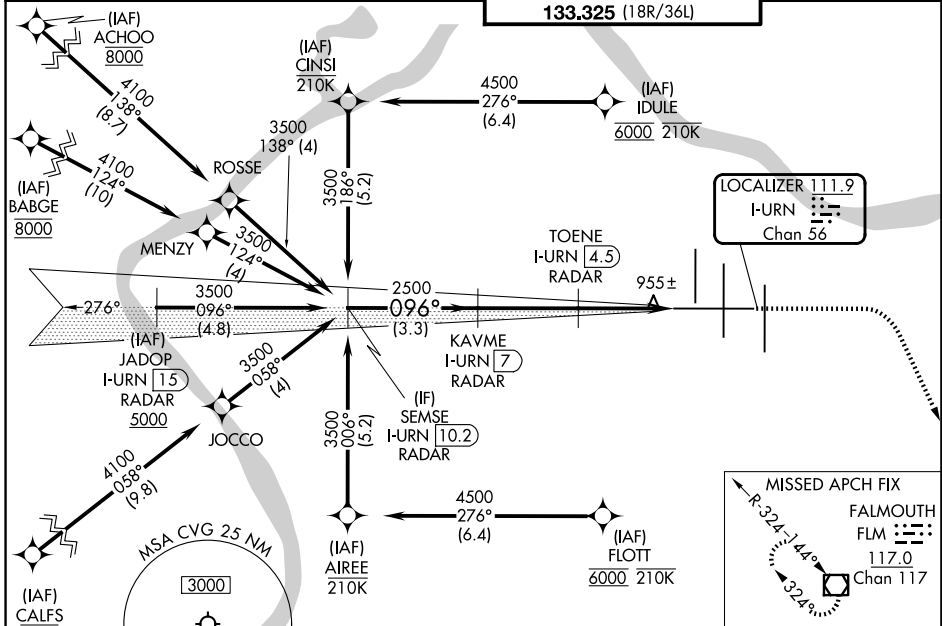
ILS or LOC RWY 9

CINCINNATI/NORTHERN KENTUCKY INTL (CVG)

RNP APCH - GPS from ACHOO or AIREE or BABGE or CALFS or CINSI or FLOTT or IDULE.
DME or RADAR required. RADAR required for procedure entry at JADOP.

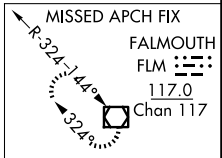
MALS R
MISSED APPROACH: Climb to 2000 then climbing right turn to 3000 direct FLM VOR/DME and hold.

D-ATIS 134.375	CINCINNATI APP CON 119.7 363.15 (090°-269°) 123.875 363.15 (270°-089°)	CINCINNATI TOWER 118.975 360.85 (18L/36R) 118.3 (9/27, 18C/36C) 133.325 (18R/36L)	GND CON 121.7
--------------------------	--	---	-------------------------

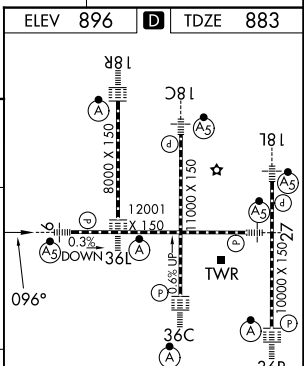
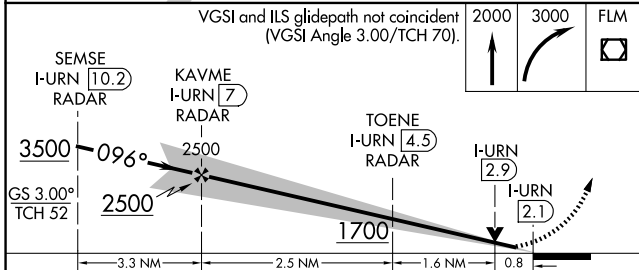


SE-1, 02 OCT 2025 to 30 OCT 2025

SE-1, 02 OCT 2025 to 30 OCT 2025



ELEV 896	TDZE 883
----------	----------



CATEGORY	A	B	C	D
S-ILS 9	1083/18 200 (200-½)			
S-LOC 9	1220/24	337 (400-½)	1220/26	337 (400-½)
CIRCLING	1460-1	564 (600-1)	1560-1¾ 664 (700-1¾)	1560-2 664 (700-2)

HIRL all Rwy's					
TDZ/CL all Rwy's except 27					
FAF to MAP 4.9 NM					
Knots	60	90	120	150	180
Min:Seq	4:54	3:16	2:27	1:58	1:38