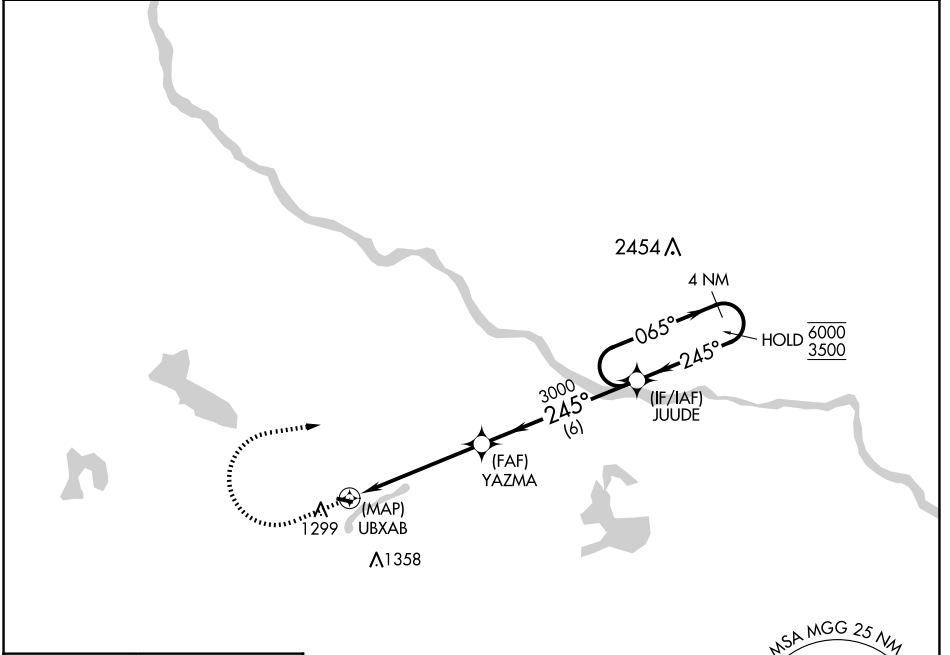


APP CRS 245°	Rwy Idg TDZE Apt Elev	N/A N/A 1028
------------------------	-----------------------------	---

RNAV (GPS)-A

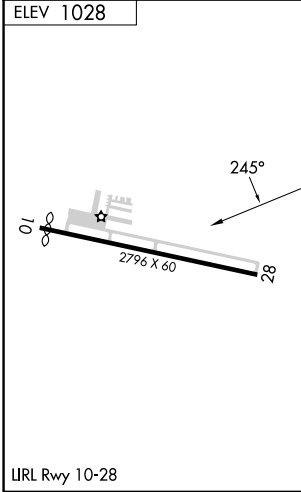
MAPLE LAKE MUNI-BILL MAVENCAMP SR FLD (MGG)

RNP APCH - GPS.		MISSED APPROACH: Climb to 2000 then climbing right turn to 3500 direct JUUDE and hold.
<p>⚠ Procedure NA at night. Rwy 10 and 28 helicopter visibility reduction below 1 SM NA. When local altimeter setting not received, use Buffalo altimeter setting and increase all MDAs 40 feet.</p>		
AWOS-3 128.325	MINNEAPOLIS APP CON 126.5 335.65	UNICOM 122.8 (CTAF)



NC-1, 30 OCT 2025 to 27 NOV 2025

NC-1, 30 OCT 2025 to 27 NOV 2025



ELEV 1028				
5.1 NM		6 NM		
CATEGORY	A	B	C	D
CIRCLING	1660-1	632 (700-1)	1720-2 692 (700-2)	NA