

WAAS CH 82441 W29A	APP CRS 291°	Rwy Idg TDZE Apt Elev	3200 29 29
--	------------------------	-----------------------------	---------------------------------------

RNAV (GPS) RWY 29

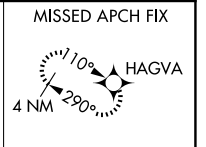
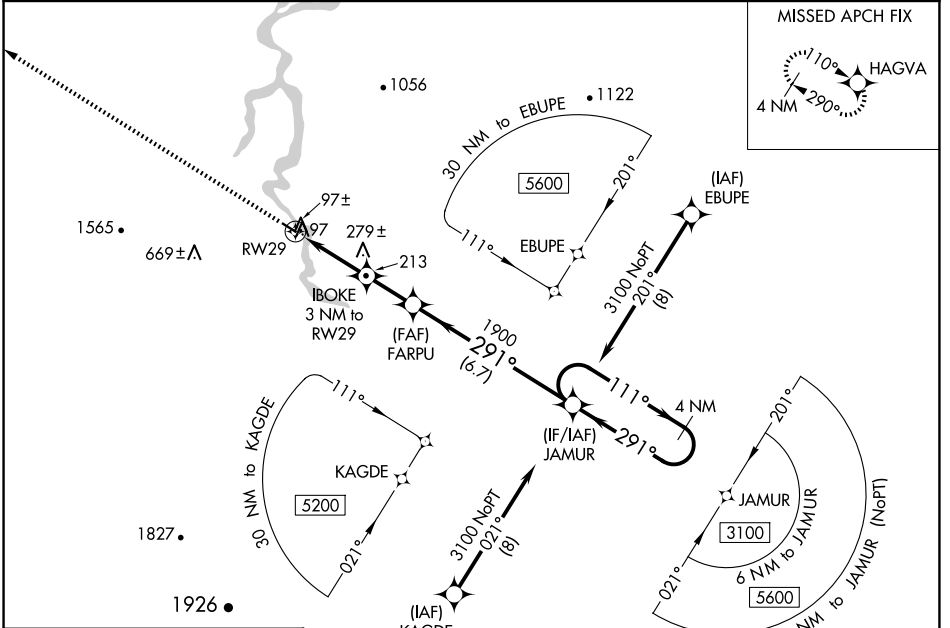
BUCKLAND (BVK)(PABL)

RNP APCH.

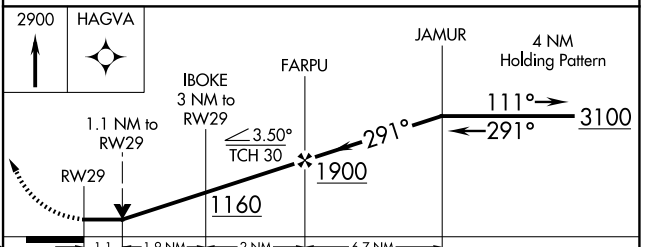
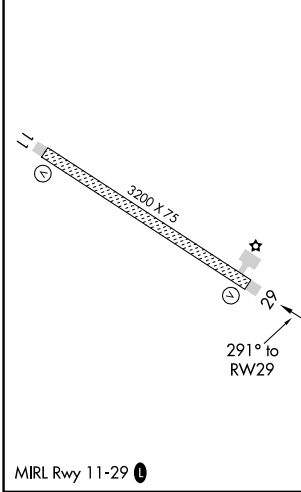
⚠ Rwy 29 helicopter visibility reduction below 3/4 SM NA. VDP NA when using Selawik altimeter setting. When Buckland altimeter setting not received, use Selawik altimeter setting and increase all MDA 120 feet, LNAV Cat C visibility 3/8 SM and Circling Cat C 1/4 SM.

MISSED APPROACH:
Climb to 2900 direct
HAGVA and hold.

AWOS-3P 135.15	ANCHORAGE CENTER 119.2 263.0	KOTZEBUE RADIO 122.3	CTAF 122.9
--------------------------	--	--------------------------------	----------------------



ELEV 29	TDZE 29
---------	---------



CATEGORY	A	B	C	D
LP MDA	480-1 451 (500-1)			NA
LNAV MDA	540-1	511 (600-1)	540-1 3/8 511 (600-1 3/8)	NA
C CIRCLING	540-1	511 (600-1)	640-1 3/4 611 (700-1 3/4)	NA

AK, 22 JAN 2026 to 19 MAR 2026

AK, 22 JAN 2026 to 19 MAR 2026