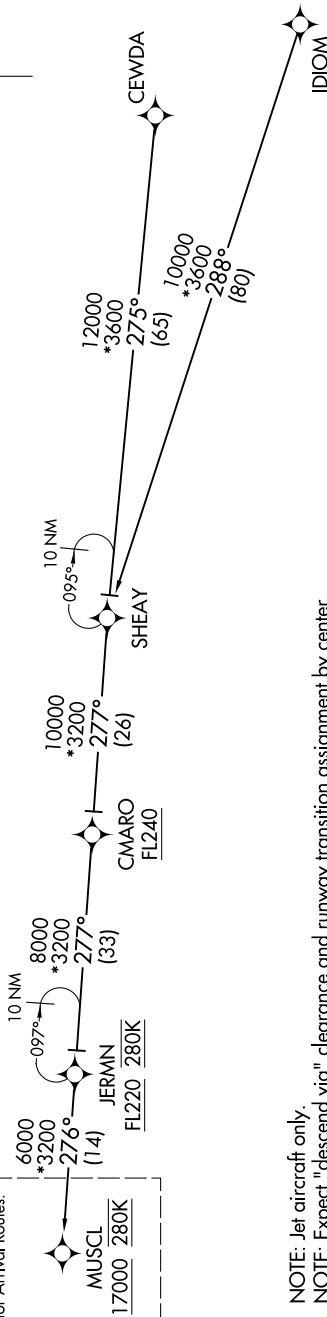


RNAV 1 - DME/DME/IRU or GPS.
RADAR required.

NC-1, 16 APR 2026 to 14 MAY 2026

MINNEAPOLIS APP CON
126.35 335.5
D-ATIS
135.35 239.275

See following page
for Arrival Routes.



NOTE: Jet aircraft only.
 NOTE: Expect "descend via" clearance and runway transition assignment by center.
 Approach will assign landing runway.
 NOTE: Jet aircraft descend via Mach number until 280K, if unable, advise ATC.

- CEWDA TRANSITION (CEWDA.MUSCL4)
- CMARO TRANSITION (CMARO.MUSCL4)
- IDIOM TRANSITION (IDIOM.MUSCL4)
- JERMIN TRANSITION (JERMIN.MUSCL4)
- SHEAY TRANSITION (SHEAY.MUSCL4)

(CONTINUED ON FOLLOWING PAGE)

NOTE: Chart not to scale.