

WAAS CH 65911 W26A	APP CRS 256°	Rwy Idg TDZE Apt Elev	5423 1871 1882
--	------------------------	-----------------------------	---

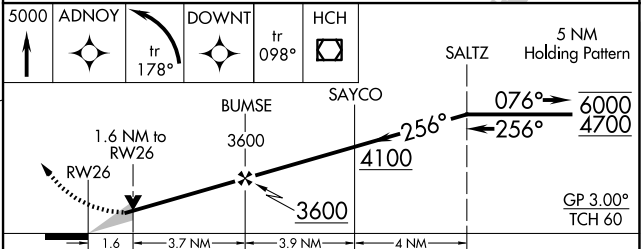
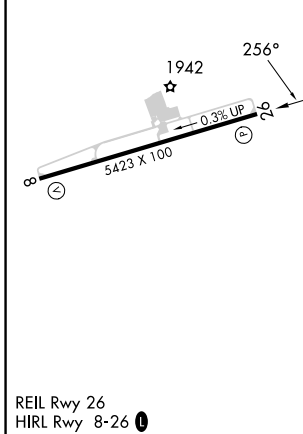
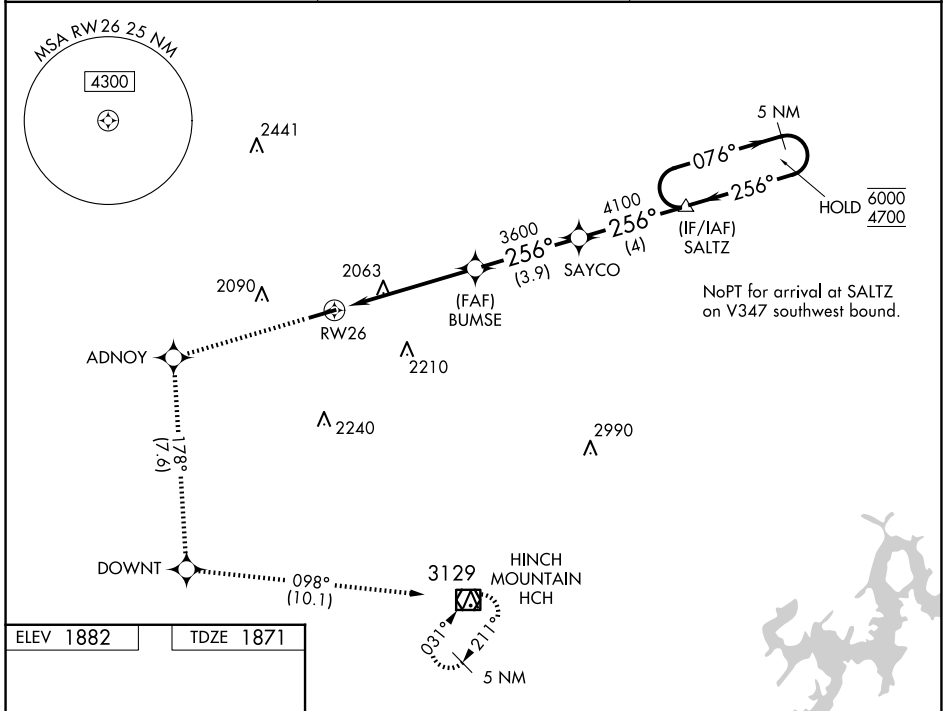
RNAV (GPS) RWY 26

CROSSVILLE MEML-WHITSON FLD (CSV)

RNP APCH - GPS.

MISSED APPROACH: Climb to 5000 direct ADNOY and left turn on track 178° to DOWNT and on track 098° to HCH VOR/DME and hold.

ASOS 120.625	ATLANTA CENTER 133.6 254.3	UNICOM 122.7 (CTAF) 0
------------------------	--------------------------------------	---------------------------------



CATEGORY	A	B	C	D
LPV DA		2121- ³ / ₄	250 (300- ³ / ₄)	
LNAV/VNAV DA		2170- ⁷ / ₈	299 (300- ⁷ / ₈)	
LNAV MDA	2440-1	569 (600-1)	2440-1 ⁵ / ₈	569 (600-1 ⁵ / ₈)
C CIRCLING	2440-1	558 (600-1)	2440-1 ⁵ / ₈	2540-2
			558 (600-1 ⁵ / ₈)	658 (700-2)

SE-1, 16 APR 2026 to 14 MAY 2026

SE-1, 16 APR 2026 to 14 MAY 2026