

WAAS CH 58123 W11A	APP CRS 110°	Rwy Ldg TDZE Apt Elev	2409 739 739
--	------------------------	-----------------------------	---

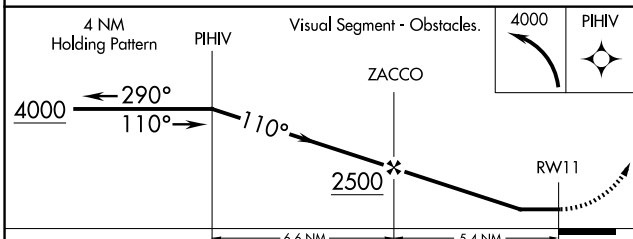
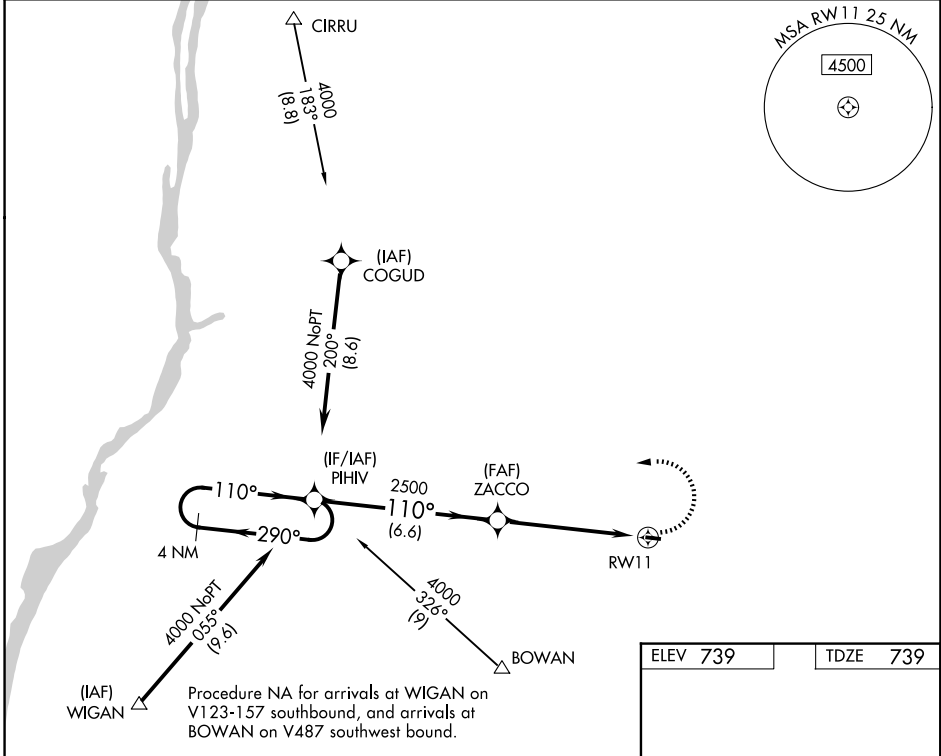
RNAV (GPS) RWY 11

GREAT BARRINGTON (GBR)

NA Obtain local altimeter setting on CTAF; when not received, use Pittsfield altimeter setting and increase all MDA 100 feet. DME/DME RNP-0.3 NA. Procedure NA at night. Helicopter visibility reduction below 1 SM NA.

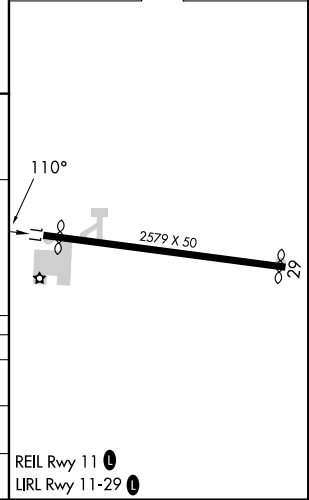
MISSED APPROACH:
Climbing left turn to 4000 direct PIHIV and hold.

ALBANY APP CON 132.825 307.2	UNICOM 122.8 (CTAF)	121.6
--	-------------------------------	--------------



ELEV 739	TDZE 739
----------	----------

CATEGORY	A	B	C	D
LP MDA	1840-1¼ 1101 (1200-1¼)	1840-1½ 1101 (1200-1½)		NA
LNAV MDA	1840-1¼ 1101 (1200-1¼)	1840-1½ 1101 (1200-1½)		NA
CIRCLING	1840-1¼ 1101 (1200-1¼)	1840-1½ 1101 (1200-1½)		NA



REIL Rwy 11
LIRL Rwy 11-29

NE-1, 16 APR 2026 to 14 MAY 2026

NE-1, 16 APR 2026 to 14 MAY 2026