

RNAV (GPS) RWY 25

VIDALIA RGNL (VDI)

WAAS CH 69609 W25A	APP CRS 249°	Rwy Ldg TDZE Apt Elev	6002 273 274
--	------------------------	-----------------------------	---

RNP APCH - GPS.

▼ Circling Rwy 32 NA at night. For uncompensated Baro-VNAV systems, LNAV/VNAV NA below -15°C or above 54°C. For inop ALS, increase LNAV/VNAV all Cats visibility to ¾ SM and LNAV Cat C/D to 1 ½ SM.

MALS/R

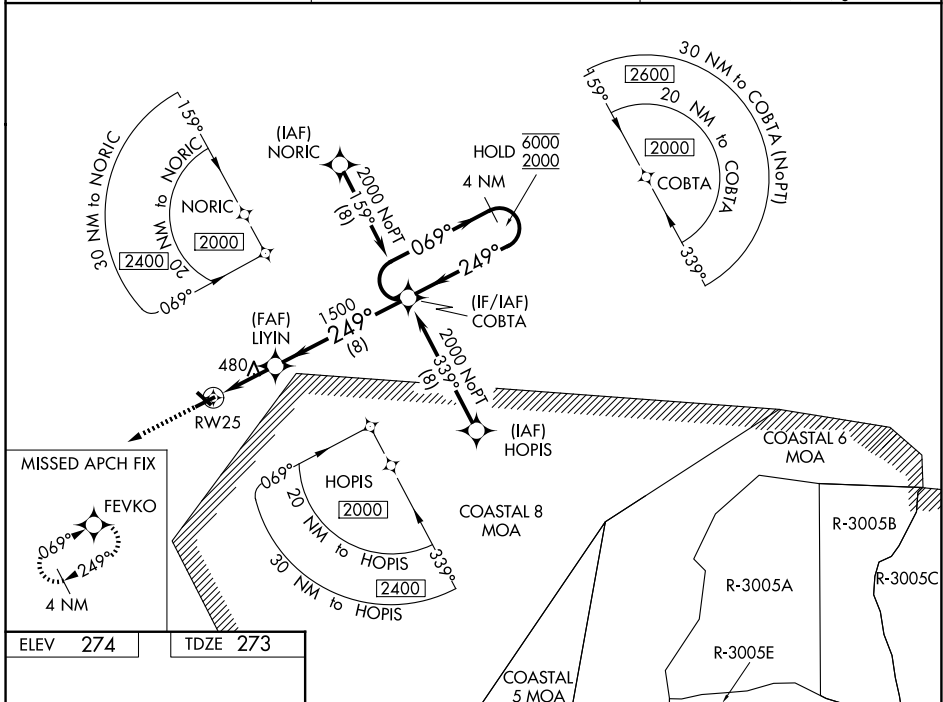


MISSED APPROACH:
Climb to 2000 direct FEVKO and hold.

AWOS-3
119.925

JACKSONVILLE CENTER
127.575 269.025

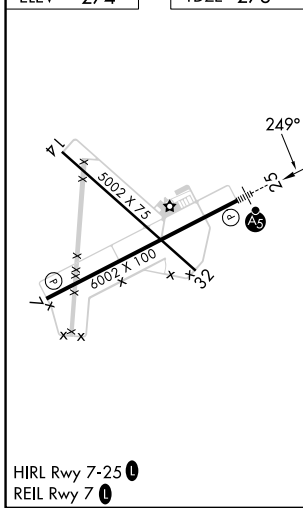
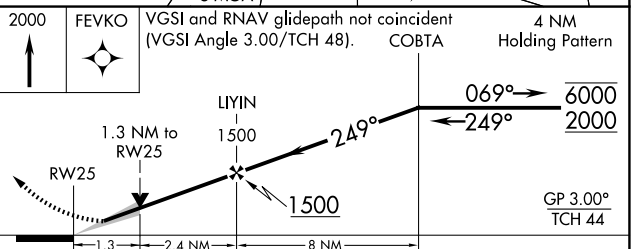
UNICOM
122.8 (CTAF) 0



SE-4, 16 APR 2026 to 14 MAY 2026

SE-4, 16 APR 2026 to 14 MAY 2026

ELEV 274 TDZE 273



CATEGORY	A	B	C	D
LPV DA	473-½		200 (200-½)	
LNAV/VNAV DA	584-½		311 (400-½)	
LNAV MDA	740-½ 467 (500-½)		740-1 467 (500-1)	
CIRCLING	740-1 466 (500-1)		920-1¾ 1060-2½ 646 (700-1¾) 786 (800-2½)	