

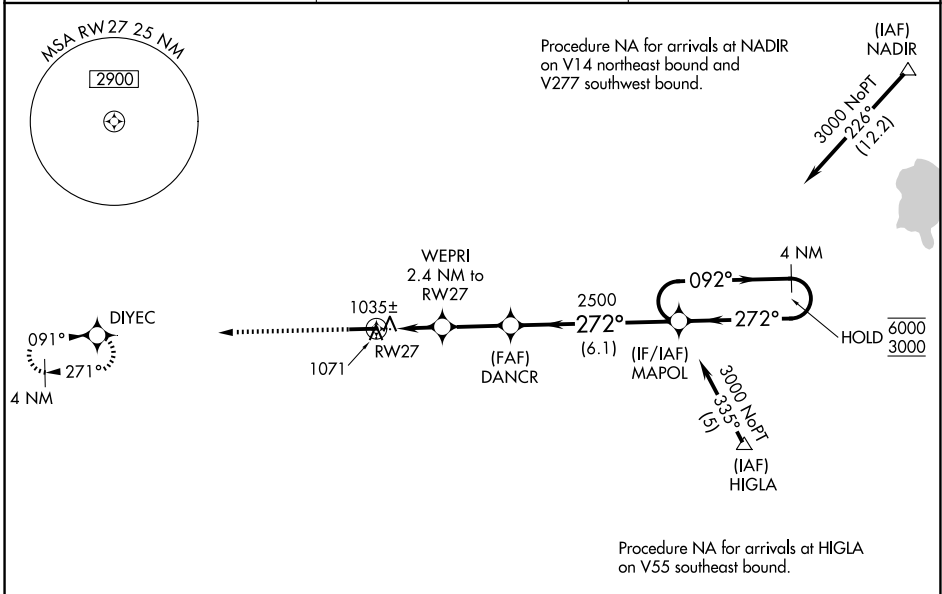
WAAS CH <b>73025</b> <b>W27A</b>	APP CRS <b>272°</b>	Rwy Ldg TDZE <b>925</b> Apt Elev <b>925</b>
--	------------------------	---

# RNAV (GPS) RWY 27

PORTLAND MUNI (PLD)

RNP APCH - GPS.	<p><b>▽</b> <b>▲</b> Rwy 27 helicopter visibility reduction below ¾ SM NA. VDP NA when using FWA altimeter setting.</p>	MISSED APPROACH: Climb to 2500 direct DIYEC and hold.

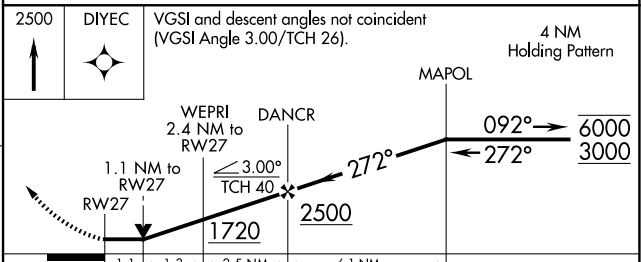
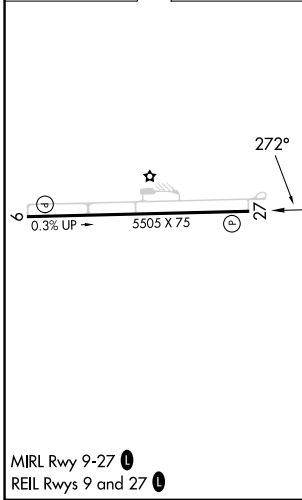
AWOS-3 <b>124.675</b>	FORT WAYNE APP CON <b>132.15</b> (SE/NE) <b>284.6</b> <b>127.2</b> (SW/NW) <b>284.6</b>	UNICOM <b>122.8</b> (CTAF) <b>0</b>
--------------------------	---	--



EC-2, 16 APR 2026 to 14 MAY 2026

EC-2, 16 APR 2026 to 14 MAY 2026

ELEV <b>925</b>	TDZE <b>925</b>
-----------------	-----------------



CATEGORY	A	B	C	D
LP MDA	1300-1 375 (400-1)			
LNAV MDA	1380-1	455 (500-1)	1380-1¾	455 (500-1¾)
CIRCLING	1480-1	555 (600-1)	1580-1¾	1640-2¼ 655 (700-1¾) 715 (800-2¼)