

FRDMM SIX ARRIVAL (RNAV) Transition Routes

WASHINGTON, DC

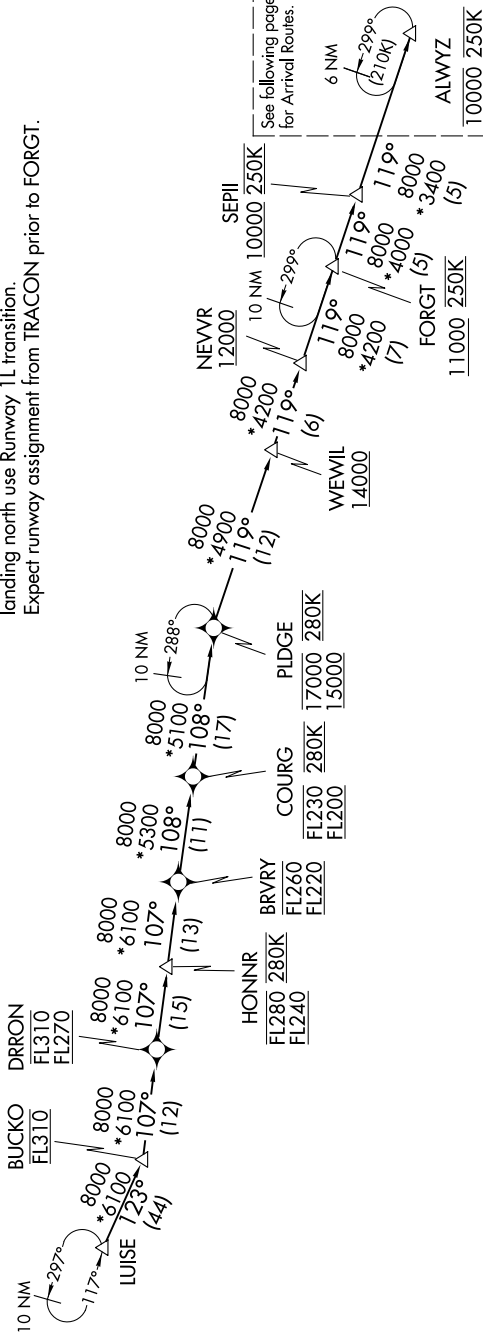
NE-3, 14 MAY 2026 to 11 JUN 2026

POTOMAC APP CON  
118.675 323.175  
DCA D-ATIS  
132.65  
ADW D-ATIS  
133.675 251.05  
DAA ATIS \*  
128.175

RNAV-1 DME/DME/IRU or GPS.  
RADAR required.

BUCKO TRANSITION (BUCKO.FRDMM6):  
LUISE TRANSITION (LUISE.FRDMM6):

NOTE: Jet aircraft only.  
NOTE: Turboprop aircraft as assigned by ATC only.  
NOTE: PROHIBITED AREA (P-56) 1.5 NM north of KDCA - AVOID - surface to FL180.  
NOTE: Landing south at DCA use Runway 19 transition, landing north use Runway 1 transition.  
Landing south at ADW use Runway 19R transition, landing north use Runway 1L transition.  
Expect runway assignment from TRACON prior to FORGT.



See following page for Arrival Routes.

(CONTINUED ON FOLLOWING PAGE)

NOTE: Chart not to scale.

WASHINGTON, DC

NE-3, 14 MAY 2026 to 11 JUN 2026