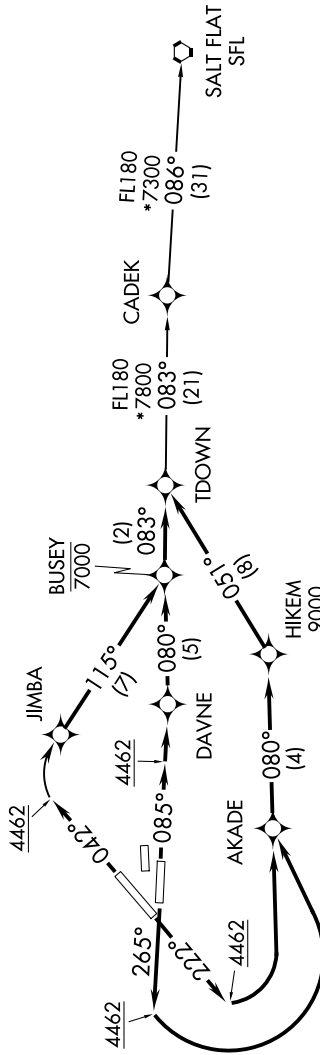
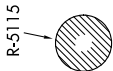
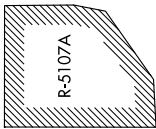


TDOWN THREE DEPARTURE (RNAV)

D-ATIS
120.0 254.3
CLNC DEL
125.0 379.1
GND CON
121.9 348.6
EL PASO TOWER
118.3 239.275
EL PASO DEP CON
119.15 263.0
ABQ CENTER
135.875 292.15



**TOP ALTITUDE:
ASSIGNED BY ATC**



NOTE: DME/DME/IRU or GPS required.
NOTE: RNAV 1.
NOTE: For use by Turbojet aircraft only.
NOTE: RADAR required for non-GPS equipped aircraft.

TAKEOFF MINIMUMS
Rwys 4, 8R: Standard with a minimum climb of 500' per NM to 4462.
Rwys 22, 26L: Standard with a minimum climb of 500' per NM to 9000.

(NARRATIVE ON FOLLOWING PAGE)

NOTE: Chart not to scale.

SC-3, 11 JUN 2026 to 09 JUL 2026

SC-3, 11 JUN 2026 to 09 JUL 2026

TDOWN THREE DEPARTURE (RNAV)