

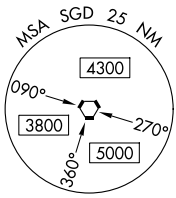
LIZRD SIX DEPARTURE

AL-281 (FAA)

NAPA COUNTY (APC)
NAPA, CALIFORNIA

OAKLAND CENTER
127.8 353.5
ATIS
124.05
CLNC DEL
127.85
GND CON
121.7
NAPA TOWER
118.7 (CTAF) 257.8

**TOP ALTITUDE:
ASSIGNED BY ATC**

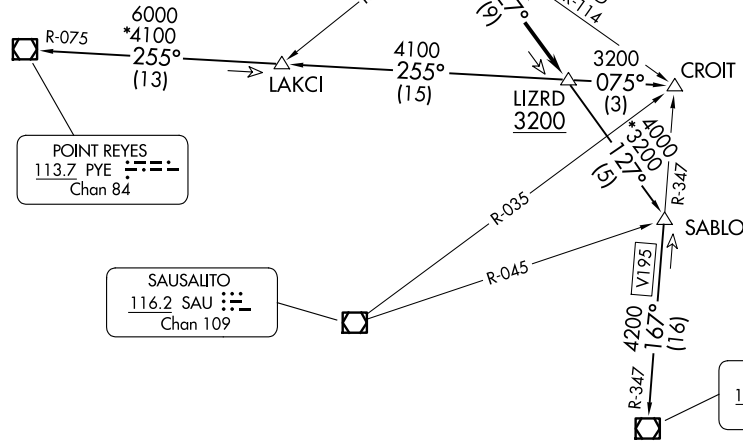


SCAGGS ISLAND
112.1 SGD
Chan 58

POINT REYES
113.7 PYE
Chan 84

SAUSALITO
116.2 SAU
Chan 109

OAKLAND
116.8 OAK
Chan 115



TAKEOFF MINIMUMS

- Rwy 6: NA-Obstacles.
- Rwy 19L/R: Standard
- Rwy 1L/R: Standard with minimum climb of 370'/NM to 1200.
- Rwy 24: Standard with minimum climb of 255'/NM to 3000.

NOTE: Chart not to scale.

DEPARTURE ROUTE DESCRIPTION

TAKEOFF RUNWAY 1L/R: Climbing left turn direct SGD VORTAC, proceed outbound on the SGD R-127 to LIZRD INT. Cross LIZRD INT at or above 3200. Thence. . . .

TAKEOFF RUNWAY 19L/R: Climb on heading 180° to intercept and proceed outbound on the SGD R-127 to LIZRD INT. Cross LIZRD INT at or above 3200. Thence. . . .

TAKEOFF RUNWAY 24: Climbing left turn on heading 180° to intercept and proceed outbound on the SGD R-127 to LIZRD INT. Cross LIZRD INT at or above 3200. Thence. . . .

. . . . on transition or assigned route. Maintain ATC assigned altitude.

CROIT TRANSITION (LIZRD6.CROIT): From over LIZRD on PYE R-075 to CROIT.

OAKLAND TRANSITION (LIZRD6.OAK): From over LIZRD on SGD R-127 and OAK R-347 to OAK VOR/DME.

POINT REYES TRANSITION (LIZRD6.PYE): From over LIZRD on PYE R-075 to PYE VOR/DME.

LIZRD SIX DEPARTURE

SW-2, 11 JUN 2026 to 09 JUL 2026

SW-2, 11 JUN 2026 to 09 JUL 2026