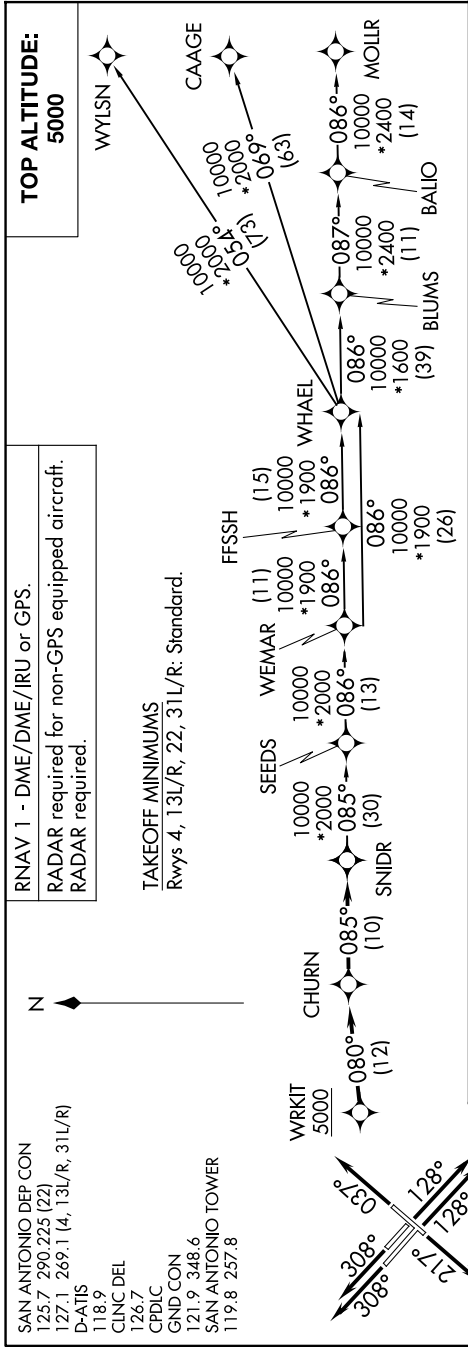


SNIDR TWO DEPARTURE (RNAV)

9200 UN 60 01 2020 UN 11 '8-CS



DEPARTURE ROUTE DESCRIPTION

TAKEOFF RUNWAY 4: Climb on heading 037° or as assigned by ATC, for vectors to WRKIT, thence...
TAKEOFF RUNWAYS 13L/R: Climb on heading 128° or as assigned by ATC, for vectors to WRKIT, thence...
TAKEOFF RUNWAY 22: Climb on heading 217° or as assigned by ATC, for vectors to WRKIT, thence...
TAKEOFF RUNWAYS 31L/R: Climb on heading 308° or as assigned by ATC, for vectors to WRKIT, thence...

... on track 080° to CHURN, then on track 085° to SNIDR, then on transition. Maintain 5000. Expect filed altitude 10 minutes after departure.

BLUMS TRANSITION (SNIDR2.BLUMS)
CAAGE TRANSITION (SNIDR2.CAAGE)
FFSSH TRANSITION (SNIDR2.FSSH)
MOLLR TRANSITION (SNIDR2.MOLLR)
SEEDS TRANSITION (SNIDR2.SEEDS)
WEMAR TRANSITION (SNIDR2.WEMAR)
WHAEL TRANSITION (SNIDR2.WHAEL)
WYLSN TRANSITION (SNIDR2.WYLSN)

NOTE: Chart not to scale.

SNIDR TWO DEPARTURE (RNAV)

(SNIDR2.SNIDR) 07AUG25

SAN ANTONIO, TEXAS
SAN ANTONIO INTL (SAT)