

SLOAO ONE ARRIVAL (RNAV)

ORLANDO, FLORIDA

RNAV 1 - DME/DME/IRU or GPS.

RADAR required.

- ORLANDO APP CON 124.8 307.0
- ISM ATIS 128.775
- LEE ATIS 134.325
- MCO D-ATIS ARR 121.25
- ORL ATIS 127.25
- SFB ATIS 125.975
- TIX ATIS 120.625

LEESBURG INTL

ORLANDO SANFORD INTL

ORLANDO APOPKA

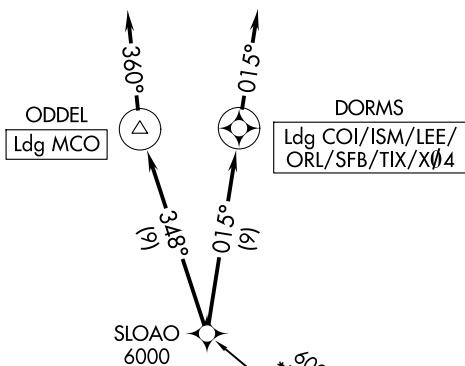
ORLANDO EXEC

ORLANDO INTL

SPACE COAST RGNL

KISSIMMEE GATEWAY

MERRITT ISLAND



NOTE: Turboprop aircraft only.

ARRIVAL ROUTE DESCRIPTION

CCLUB TRANSITION (CCLUB.SLOAO1)
MATLK TRANSITION (MATLK.SLOAO1)

LANDING COI/LEE/X04/SFB/ISM/TIX/ORL: From SLOAO on track 015° to DORMS, then on track 015°. Expect RADAR vectors to final approach course.

LANDING MCO: From SLOAO on track 348° to ODDEL, then on track 360°. Expect RADAR vectors to final approach course.

NOTE: Chart not to scale.

SLOAO ONE ARRIVAL (RNAV)

ORLANDO, FLORIDA