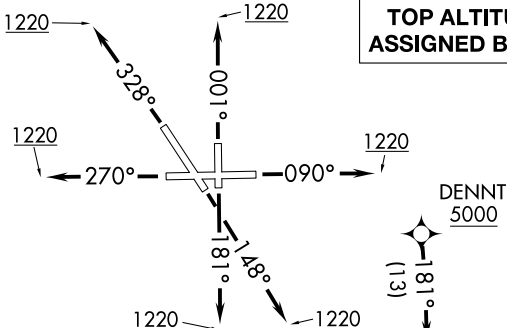


DARCY EIGHT DEPARTURE (RNAV)

**TOP ALTITUDE:
ASSIGNED BY ATC**

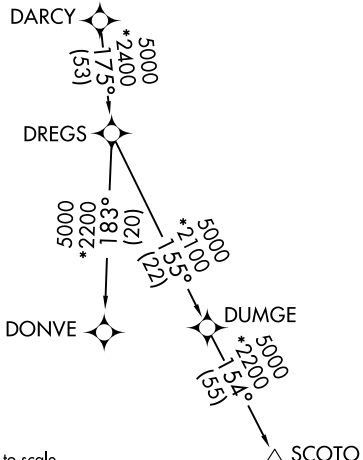
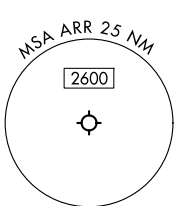
CHICAGO DEP CON
133.5 349.0
ATIS
125.85
GND CON
121.7
AURORA TOWER ★
120.6 (CTAF)



TAKEOFF MINIMUMS:

Rwys 9, 15, 18, 27, 33, 36: Standard.

NOTE: Turbojet departures maintain 250K until advised by ATC.



RNAV 1 - DME/DME/IRU or GPS.

RADAR required.

NOTE: Chart not to scale.

DEPARTURE ROUTE DESCRIPTION

- TAKEOFF RUNWAY 9:** Climb on heading 090° to 1220, for vectors to DENNT, thence. . . .
- TAKEOFF RUNWAY 15:** Climb on heading 148° to 1220, for vectors to DENNT, thence. . . .
- TAKEOFF RUNWAY 18:** Climb on heading 181° to 1220, for vectors to DENNT, thence. . . .
- TAKEOFF RUNWAY 27:** Climb on heading 270° to 1220, for vectors to DENNT, thence. . . .
- TAKEOFF RUNWAY 33:** Climb on heading 328° to 1220, for vectors to DENNT, thence. . . .
- TAKEOFF RUNWAY 36:** Climb on heading 001° to 1220, for vectors to DENNT, thence. . . .

. . . . on track 181° to DARC, then on transition, maintain ATC assigned altitude. Expect filed altitude 10 minutes after departure.

DONVE TRANSITION (DARCY8.DONVE):
SCOTO TRANSITION (DARCY8.SCOTO):

DARCY EIGHT DEPARTURE (RNAV)

EC-3, 11 JUN 2026 to 09 JUL 2026

EC-3, 11 JUN 2026 to 09 JUL 2026