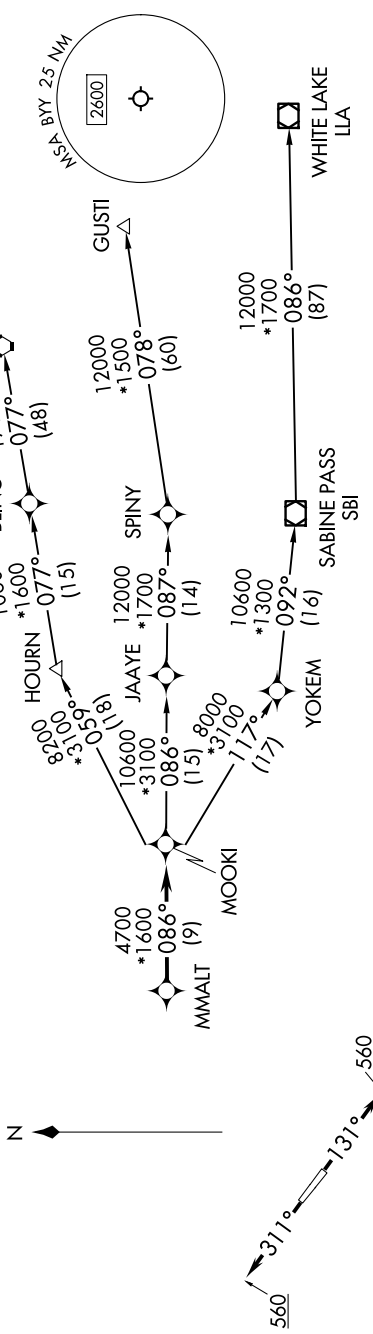


# MMALT SEVEN DEPARTURE (RNAV)

9200 JUN 60 of 2026 UNR 11 '9-C-C

RNAV 1 - DME/DME/IRU or GPS.  
RADAR required.

HOUSTON DEP CON  
128.6 360.85



## DEPARTURE ROUTE DESCRIPTION

**TAKEOFF RUNWAY 13:** Climb on heading 131° to 560, for RADAR vectors to MMALT, thence. . . .

**TAKEOFF RUNWAY 31:** Climb on heading 311° to 560, for RADAR vectors to MMALT, thence. . . .

. . . on track 086° to MOOKI, then on (transition). Maintain ATC assigned altitude.  
Expect filed altitude 10 minutes after departure.

- GUSTI TRANSITION (MMALT7.GUSTI)
- LAKE CHARLES TRANSITION (MMALT7.LCH)
- WHITE LAKE TRANSITION (MMALT7.LLA)

**TAKEOFF MINIMUMS**  
Rwys 13, 31: Standard with minimum climb of 500' /NM to 560.

NOTE: Chart not to scale.