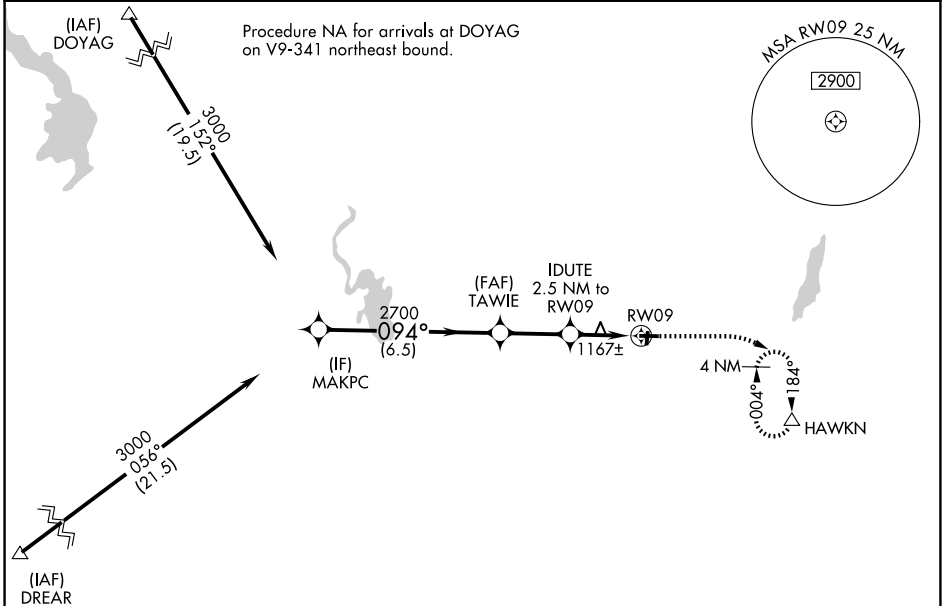


WAAS CH <b>42743</b> <b>W09A</b>	APP CRS <b>094°</b>	Rwy Ldg TDZE Apf Elev	<b>3401</b> <b>1068</b> <b>1070</b>
--	------------------------	-----------------------------	---

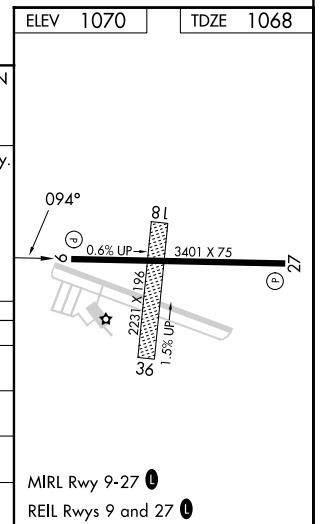
# RNAV (GPS) RWY 9

HARTFORD MUNI (HXF)

RNP APCH.		MISSED APPROACH: Climb to 1700 then climbing right turn to 3000 direct HAWKN and hold, continue climb-in-hold to 3000.
<p>▼ Circling NA to Rwys 18 and 36.</p> <p>▲ NA Baro-VNAV NA.</p> <p>Use Westbend altimeter setting.</p>		
ETB AWOS-3 <b>120.0</b>	MILWAUKEE APP CON <b>125.35 307.0</b>	UNICOM <b>123.0 (CTAF) 0</b>



		ELEV 1070	TDZE 1068
		1700	3000 HAWKN
		* LNAV only.	
		MAKPC	TAWIE
		3000	2700
		GP 3.00°	*1900
		TCH 40	
		094°	
		2700	
		6.5 NM	2.5 NM
			2.5 NM
			RWY 09
CATEGORY	A	B	C
LPV DA	1372-7/8	304 (400-7/8)	NA
LNAV/VNAV DA	1372-7/8	304 (400-7/8)	NA
LNAV MDA	1480-1	412 (500-1)	NA
CIRCLING	1560-1	490 (500-1)	NA



EC-3, 11 JUN 2026 to 09 JUL 2026

EC-3, 11 JUN 2026 to 09 JUL 2026