

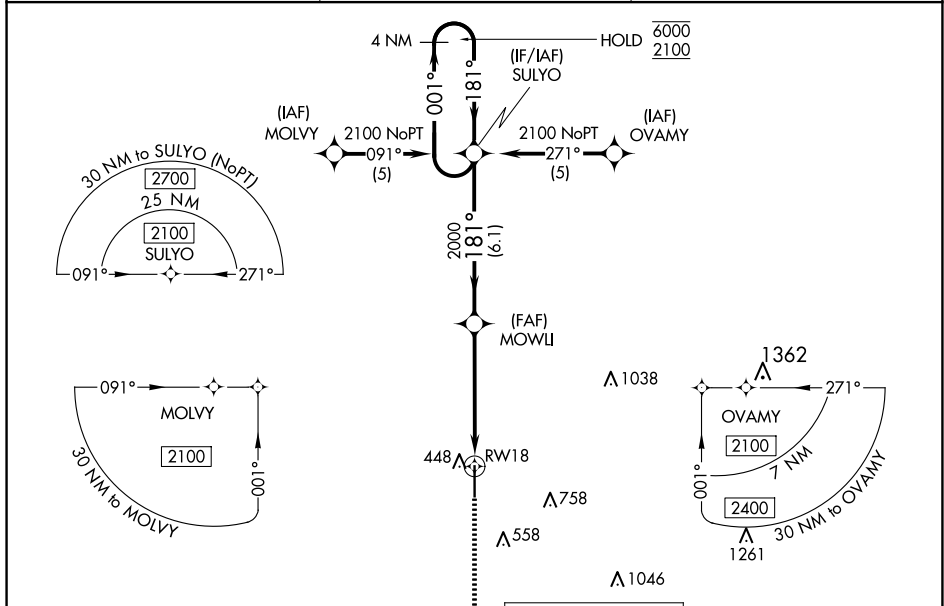
WAAS CH 49201 W18A	APP CRS 181°	Rwy ldg 6503 TDZE 298 Apt Elev 298
---------------------------------	------------------------	---

RNAV (GPS) RWY 18

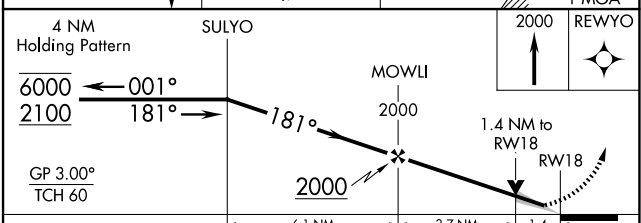
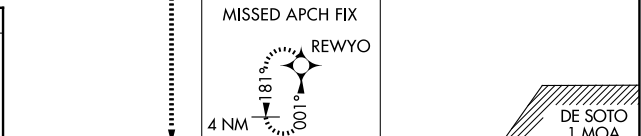
HATTIESBURG/LAUREL RGNL (PIB)

RNP APCH-GPS.	MALSR 	MISSED APPROACH: Climb to 2000 direct REWYO and hold.
For uncompensated Baro-VNAV systems, LNAV/VNAV NA below -15°C or above 54°C.		

AWOS-3PT 128.325	HOUSTON CENTER 126.8 327.8	UNICOM 123.0 (CTAF) 1
----------------------------	--------------------------------------	---------------------------------



ELEV 298	TDZE 298



CATEGORY	A	B	C	D
LPV DA		498-1/2	200 (200-1/2)	
LNAV/VNAV DA		691-5/8	393 (400-3/8)	
LNAV MDA	820-1/2	522 (600-1/2)	820-1	522 (600-1)
CIRCLING	820-1	522 (600-1)	1120-2/2 822 (900-2/2)	1120-2 3/4 822 (900-2 3/4)

SC-4, 11 JUN 2026 to 09 JUL 2026

SC-4, 11 JUN 2026 to 09 JUL 2026