

WAAS CH 97725 W27A	APP CRS 274°	Rwy Ldg TDZE Apt Elev	3541 288 289
--	------------------------	-----------------------------	---

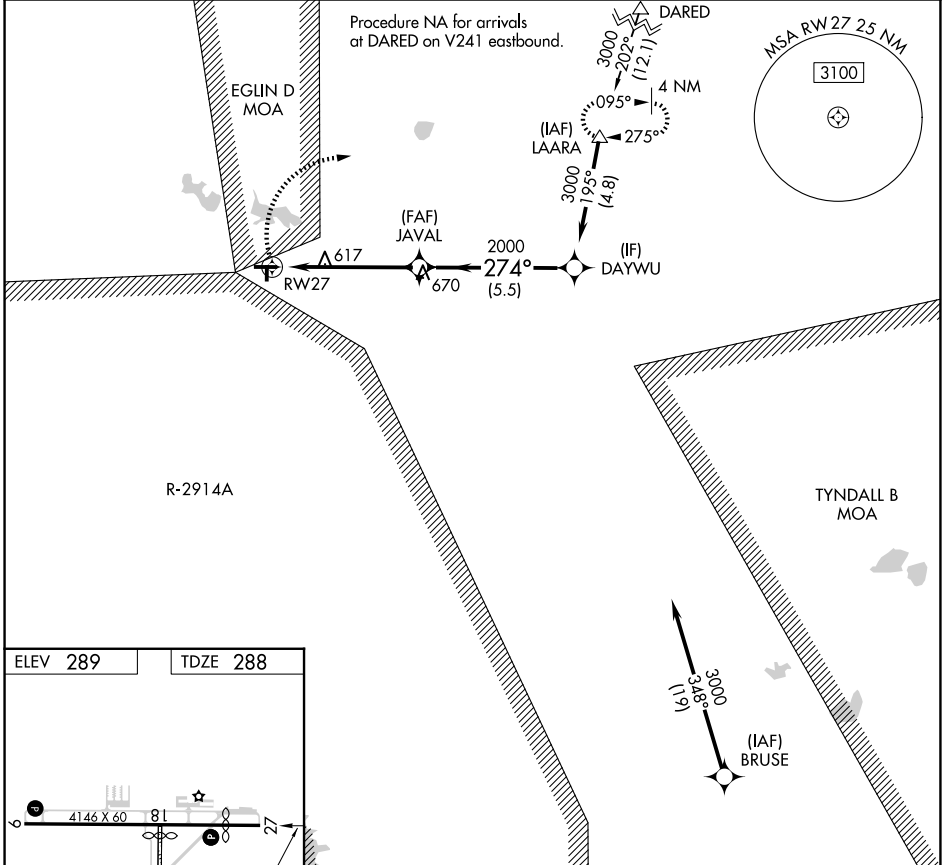
RNAV (GPS) RWY 27

DEFUNIAK SPRINGS (54J)

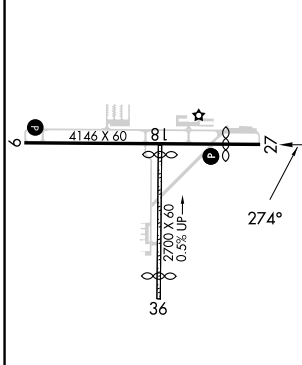
RNP APCH.
 ▼ Circling NA to Rwy 18 and 36. Circling Rwy 9 NA at night.
 ▲ Rwy 27 helicopter visibility reduction below $\frac{3}{4}$ SM NA.

MISSED APPROACH: Climbing right turn to 3000
 direct LAARA and hold.

AWOS-3P 118.725	EGLIN APP CON 124.05 284.65	UNICOM 123.05 (CTAF) 0
---------------------------	---------------------------------------	----------------------------------



ELEV 289	TDZE 288
-----------------	-----------------



3000	LAARA	Visual Segment - Obstacles.	DAYWU	
	▲	JAVAL		
		1.7 NM to RWY 27	3000	
		2000		
		1.7 NM	3.6 NM	
		5.5 NM		
CATEGORY	A	B	C	D
LP MDA	880-1	592 (600-1)		NA
LNAV MDA	880-1	592 (600-1)		NA
CIRCLING	880-1	920-1		NA
	591 (600-1)	631 (700-1)		

SE-3, 11 JUN 2026 to 09 JUL 2026

SE-3, 11 JUN 2026 to 09 JUL 2026