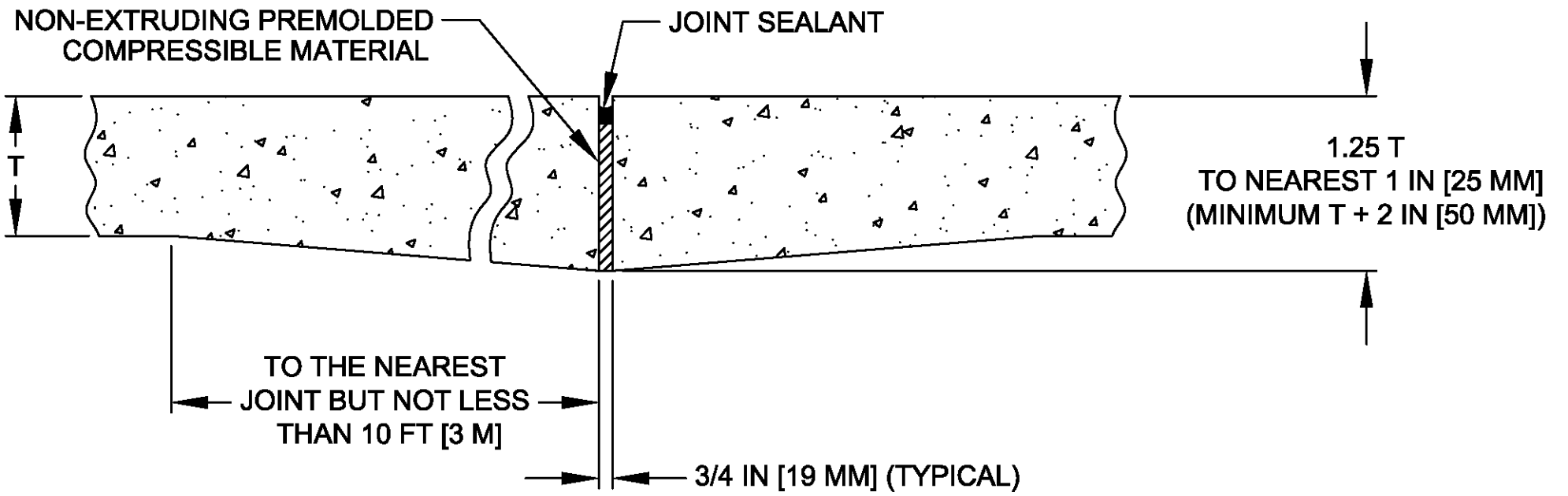
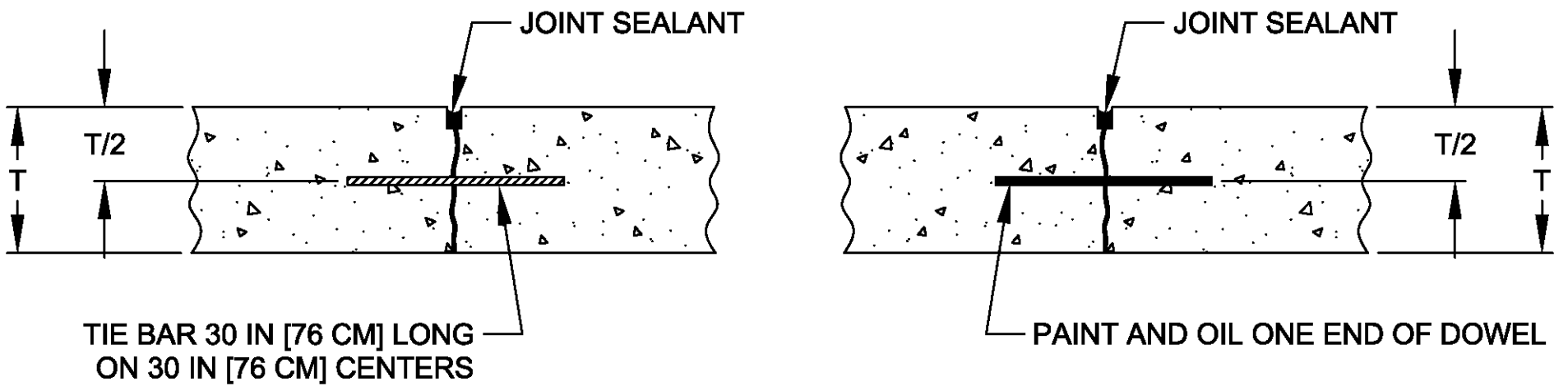


ISOLATION JOINTS



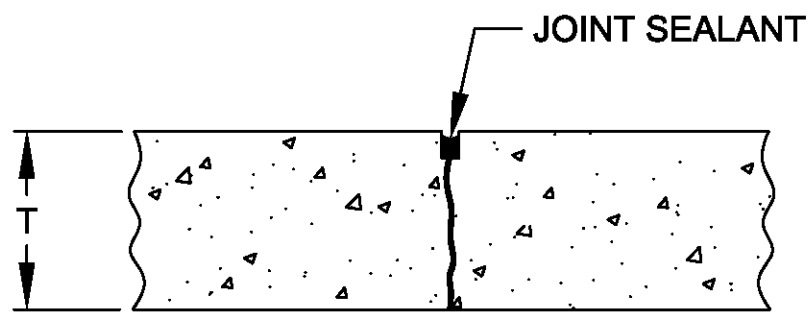
TYPE A THICKENED EDGE

CONTRACTION JOINTS



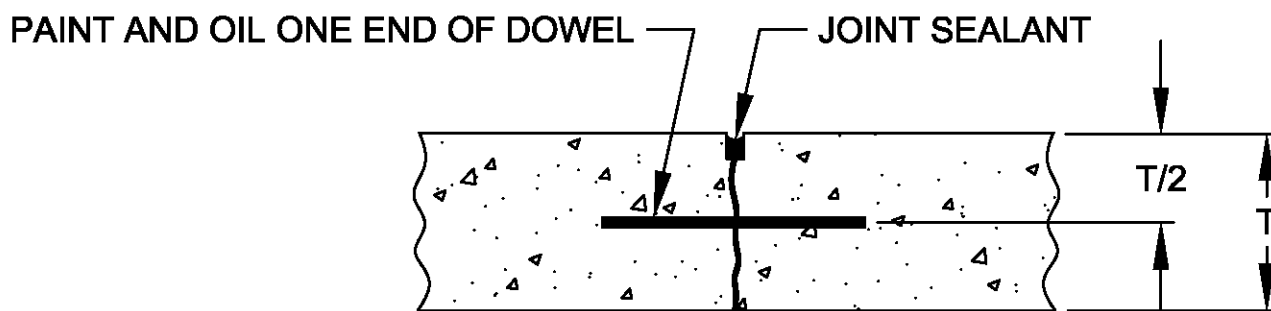
TYPE B HINGED

TYPE C DOWELED



TYPE D DUMMY

CONSTRUCTION JOINTS



TYPE E DOWELED